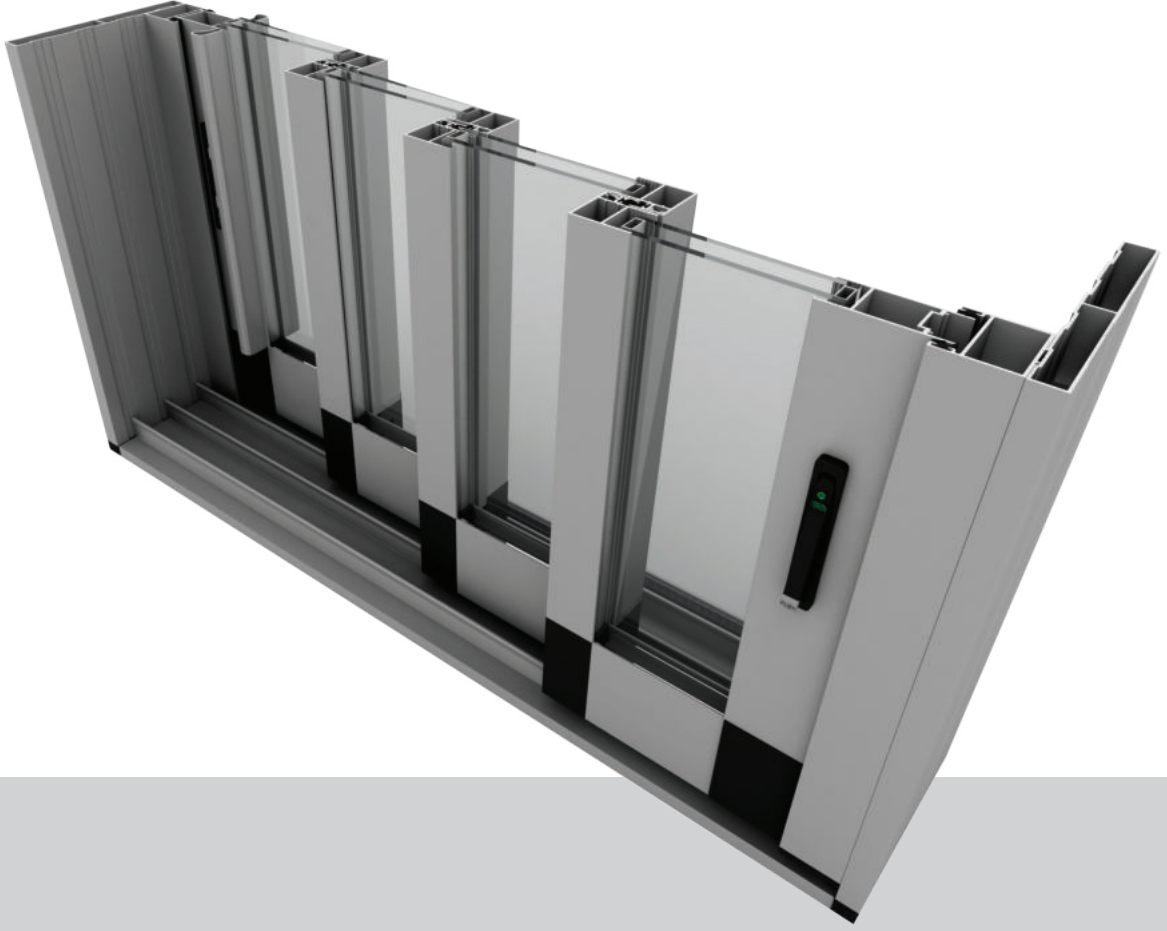
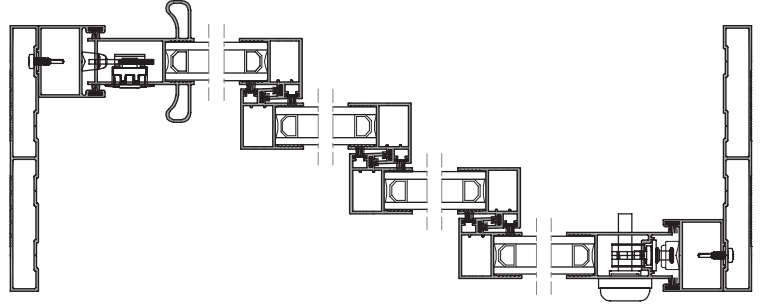
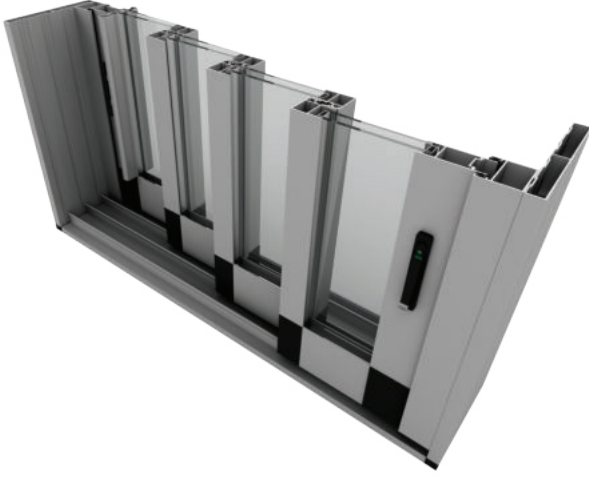




Dış Mekan Sistem
Outdoor System



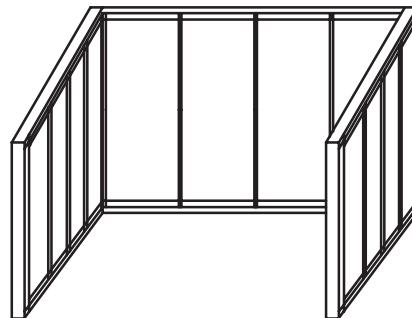
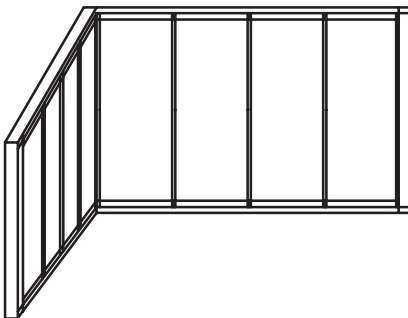
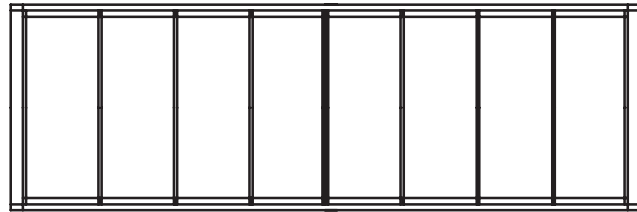
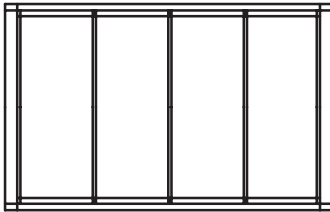
ISCB140



TEKNİK ÖZELLİKLER / TECHNICAL PROPERTIES

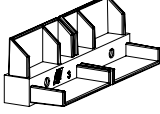
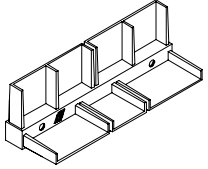
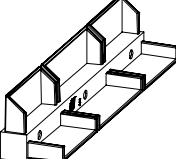
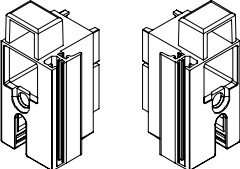
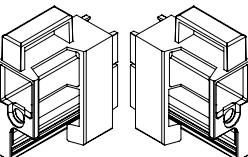
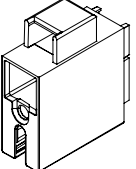
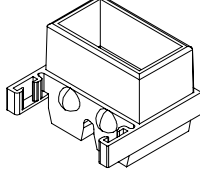
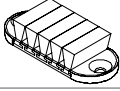


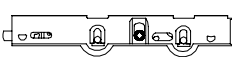

KASA GENİŞLİĞİ / FRAME WIDTH	140 mm
KANAT GENİŞLİĞİ / SASH WIDTH	24 mm
PROFİL ET KALINLIĞI / PROFILE WALL THICKNESS	1,2 mm - 1,5 mm
CAM KALINLIĞI / GLASS THICKNESS	20 mm
MAKS. KANAT GENİŞLİĞİ / MAX. SASH WIDTH	1000 mm
MAKS. KANAT YÜKSEKLİĞİ / MAX. SASH HEIGHT	3000 mm
MAKS. KANAT AĞIRLIĞI / MAX. SASH WEIGHT	90 kg
MAKS. KANAT SAYISI / MAX. SASH NUMBER	5 Sol / 5 Sağ - 5 Left / 5 Right

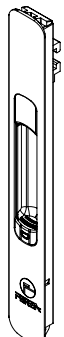
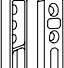
UYGULAMA SEÇENEKLERİ / APPLICATION OPTIONS



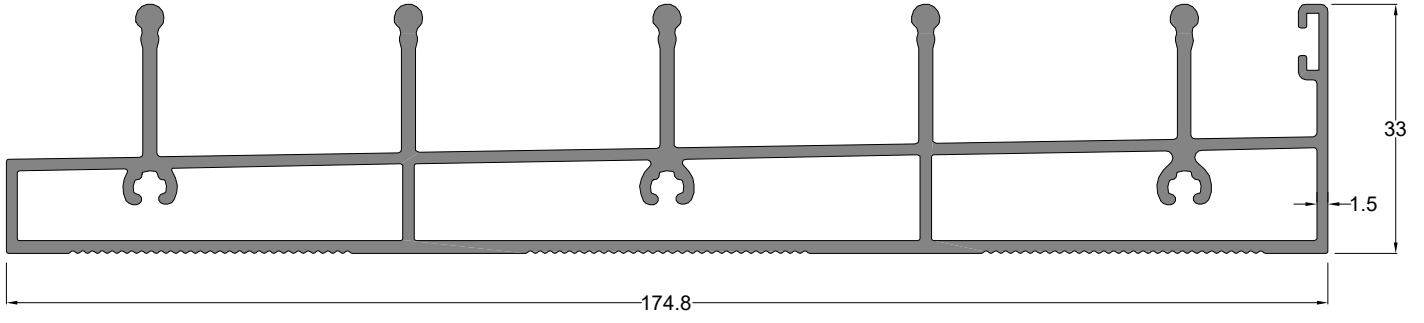
PROFİL KESİTİ PROFILE SECTION	PROFİL KODU PROFILE CODE	PROFİL ADI PROFILE NAME	Jx cm ⁴	Jy cm ⁴	AĞIRLIK (kg/m) WEIGHT
	13166	5 RAYLI EŞİKLİ ALT-ÜST RAY PROFİLİ QUINTET RAIL THRESHOLD PROFILE (BOTTOM-TOP)	-	-	2,450 kg/m
	13165	5 RAYLI YAN KASA PROFİLİ QUINTET RAIL PROFILE (SIDE)	-	-	1,588 kg/m
	12664	4 RAYLI EŞİKLİ ALT-ÜST RAY PROFİLİ QUAD RAIL THRESHOLD PROFILE (BOTTOM-TOP)	-	-	1,915 kg/m
	12665	4 RAYLI YAN KASA PROFİLİ QUAD RAIL FRAME PROFILE (SIDE)	-	-	1,192 kg/m
	13164	3 RAYLI EŞİKLİ ALT-ÜST RAY PROFİLİ TRIPLE RAIL THRESHOLD PROFILE (BOTTOM-TOP)	-	-	1,364 kg/m
	13163	3 RAYLI YAN KASA PROFİLİ TRIPLE RAIL PROFILE (SIDE)	-	-	0,865 kg/m
	13162	TEK CAM ADAPTÖR PROFİLİ SINGLE GLAZING ADAPTER PROFILE	-	-	0,180 kg/m
	12666	ALT-ÜST ETEK PROFİLİ END PROFILE (BOTTOM-TOP)	-	-	0,861 kg/m
	12669	KANAT PROFİLİ SASH PROFILE	-	-	0,632 kg/m
	14176	TEK KULPLU KANAT PROFİLİ SINGLE HANDLE SASH PROFILE	-	-	0,816 kg/m
	12668	KULPLU KANAT PROFİLİ HANDLE SASH PROFILE	-	-	0,965 kg/m
	12670	KASA KİLİT ADAPTÖR PROFİLİ FRAME ADAPTER PROFILE (FOR LOCK)	-	-	0,583 kg/m
	12667	KENET PROFİLİ INTERLOCKING PROFILE	-	-	0,550 kg/m
	12671	KANAT KİLİT ADAPTÖR PROFİLİ SASH ADAPTER PROFILE (FOR LOCK)	-	-	0,361 kg/m
	12672	90° DÖNÜŞ PROFİLİ 90° CORNER PROFILE	-	-	0,599 kg/m
	4104	EK TAKVİYE U PROFİLİ REINFORCING U PROFILE	-	-	0,391 kg/m

** Her profil için minimum sipariş 300 kg'dır.
 ** Minimum order quantity is 300 kg per profile.

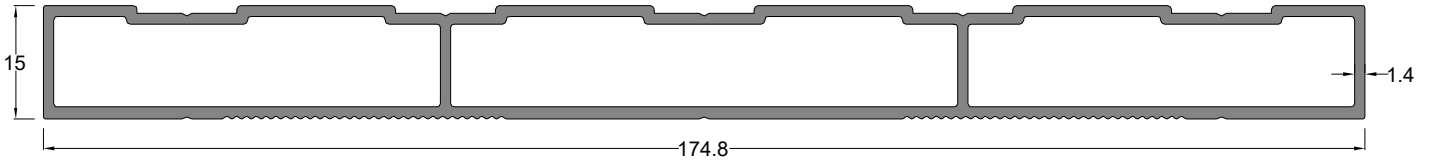
AKSESUAR ACCESSORY	STOK KODU REFERENCE CODE	AKSESUAR ADI DESCRIPTION	AKSESUAR KODU PRODUCT CODE	PAKET PACK
	AKS5791	KASA VE YAN DİKME KÖŞE BAĞLANTI TAKOZU (3 RAYLI) FRAME AND SIDE STRUT CORNER CONNECTION WEDGE (3 RAIL)	ISCB140-KTB.300	Adet
	AKS2768	KASA VE YAN DİKME KÖŞE BAĞLANTI TAKOZU (4 RAYLI) FRAME AND SIDE STRUT CORNER CONNECTION WEDGE (4 RAIL)	ISCB140-KB.200	Adet
	AKS5792	KASA VE YAN DİKME KÖŞE BAĞLANTI TAKOZU (5 RAYLI) FRAME AND SIDE STRUT CORNER CONNECTION WEDGE (5 RAIL)	ISCB140-KTB.500	Adet
	AKS2769	ETEK VE KENET KÖŞE BAĞLANTI TAKOZU (SAĞ-SOL) BOTTOM AND INTERLOCK CORNER CONNECTION WEDGE (RIGHT-LEFT)	ISCB140-KB.201	Adet
	AKS2775	90° KÖŞE BAĞLANTI TAKOZU (SAĞ-SOL) 90° CORNER CONNECTION WEDGE (RIGHT-LEFT)	ISCB140-DP.207	Adet
	AKS2770	ETEK KULPLU VE KULPSUZ KANAT BAĞLANTI TAKOZU SASH CONNECTION WEDGE FOR AND PROFILE	ISCB140-KB.202	Adet
	AKS2773	KİLİT ADAPTÖRÜ KAPAK PLASTİĞİ LOCK ADAPTER COVER	ISCB140-KK.205	Adet
	AKS2774	TOZLUK AIR BLOCKER	ISCB140-AHK.206	Adet
	AKS2771	KULP KAPAK PLASTİĞİ HANDLE COVER	ISCB140-KK.203	Adet
	AKS2772	SÜRME ROZET SLIDING BADGE	ISCB140-SR.204	Adet
	AKS1940	ÇİFT MAKARALI RULMAN DUAL PULLEY SHEET METAL ROLLER	ISCB140-ÇR.508	Adet
	AKS2756	FORZA BAS ÇEVİR KOL (İSPANYOLET KOLU) FORZA PUSH HANDLE (ESPAÑOLETTE HANDLE)	ISCB140-BK.115	Adet

AKSESUAR ACCESSORY	STOK KODU REFERENCE CODE	AKSESUAR ADI DESCRIPTION	AKSESUAR KODU PRODUCT CODE	PAKET PACK
	AKS2776	FORZA KANCA KOL FORZA HOOK HANDLE	ISCB140-KK.116	Adet
	AKS370	FORZA YAYLI HAVUZ KOL (SİYAH) FORZA RECESSED HANDLE AUTOMATIC (BLACK)	ISCB140-FHK.750	1 pk / 40ad
	AKS371	FORZA YAYLI HAVUZ KOL (BEYAZ) FORZA RECESSED HANDLE AUTOMATIC (WHITE)	ISCB140-FHK.751	1 pk / 40ad
	AKS372	FORZA YAYLI HAVUZ KOL (NATUREL) FORZA RECESSED HANDLE AUTOMATIC (NATURAL)	ISCB140-FHK.752	1 pk / 40ad
	AKS373	FORZA YAYLI HAVUZ KOL (ANTRASİT) FORZA RECESSED HANDLE AUTOMATIC (ANTHRACITE)	ISCB140-FHK.753	1 pk / 40ad
	AKS374	FORZA MANUEL HAVUZ KOL (SİYAH) FORZA RECESSED HANDLE MANUEL (BLACK)	ISCB140-FHK.760	1 pk / 40ad
	AKS375	FORZA MANUEL HAVUZ KOL(BEYAZ) FORZA RECESSED HANDLE MANUEL (WHITE)	ISCB140-FHK.761	1 pk / 40ad
	AKS376	FORZA MANUEL HAVUZ KOL (NATUREL) FORZA RECESSED HANDLE MANUEL (NATURAL)	ISCB140-FHK.762	1 pk / 40ad
	AKS377	FORZA MANUEL HAVUZ KOL (ANTRASİT) FORZA RECESSED HANDLE MANUEL (ANTHRACITE)	ISCB140-FHK.763	1 pk / 40ad
	AKS378	FORZA ANAHTARLI HAVUZ KOL (SİYAH) FORZA RECESSED HANDLE LOCK WITH KEY (BLACK)	ISCB140-FHK.770	1 pk / 40ad
	AKS379	FORZA ANAHTARLI HAVUZ KOL (BEYAZ) FORZA RECESSED HANDLE LOCK WITH KEY (WHITE)	ISCB140-FHK.771	1 pk / 40ad
	AKS380	FORZA ANAHTARLI HAVUZ KOL (NATUREL) FORZA RECESSED HANDLE LOCK WITH KEY (NATURAL)	ISCB140-FHK.772	1 pk / 40ad
	AKS381	FORZA ANAHTARLI HAVUZ KOL (ANTRASİT) FORZA RECESSED HANDLE LOCK WITH KEY (ANTHRACITE)	ISCB140-FHK.773	1 pk / 40ad
	AKS385	FORZA KİLİT DİLİ (SAC) FORZA HOOK (SHEET)	ISCB140-FKD.785	1 pk / 40 ad
	AKS384	FORZA KİLİT KARŞILIĞI (ZAMAK) FORZA STRIKER (ZAMAK)	ISCB140-FKK.782	1 pk / 40 ad
	AKS1645	ANAHTARLI HOROZ KİLİT 201/F HOOK LOCK (MARTISE LOCK WITH KEY)	ISCB140-HK.114	1 pk / 1ad
	AKS1942	SÜRME İSPANYOLET KARŞILIK (ZAMAK) SLIDING ESPAGNOLETTE STRIKER (ZAMAK)	ISCB140-KK.520	1 koli / 500ad

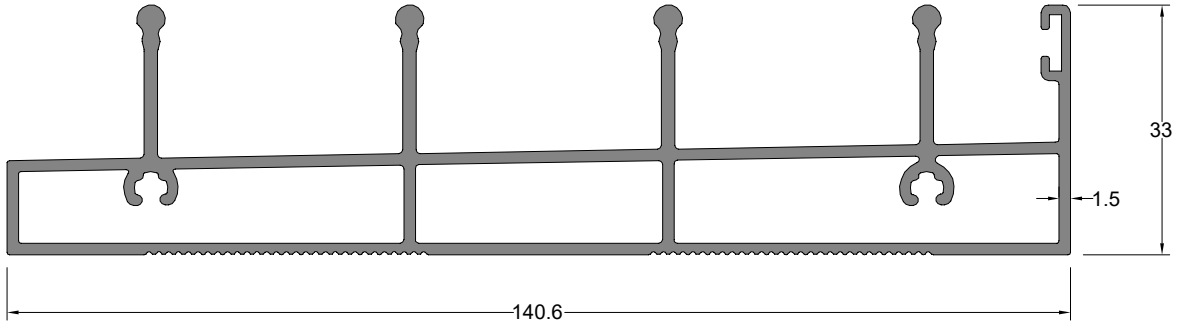
AKSESUAR ACCESSORY	STOK KODU REFERENCE CODE	AKSESUAR ADI DESCRIPTION	AKSESUAR KODU PRODUCT CODE	PAKET PACK
	AKS8444	BARELLİ İSPANYOLET (160 cm) CYLINDER ESPAGNOLETTE (160 cm)	ISCB140-VISP.444	1 ad / 1pk
	AKS8445	BARELLİ İSPANYOLET (180 cm) CYLINDER ESPAGNOLETTE (180 cm)	ISCB140-VISP.445	1 ad / 1pk
	AKS1717	68 mm BAREL 68 mm CYLINDER	ISCB140-BR.1717	24 ad / 1 pk
	AKS8447	BARELSİZ İSPANYOLET (30 cm) ESPAGNOLETTE (30 cm)	ISCB140-VISP.447	1 ad / 1pk
	AKS8448	BARELSİZ İSPANYOLET (40 cm) ESPAGNOLETTE (40 cm)	ISCB140-VISP.448	1 ad / 1pk
	AKS8449	BARELSİZ İSPANYOLET (60 cm) ESPAGNOLETTE (60 cm)	ISCB140-VISP.449	1 ad / 1pk
	AKS8450	BARELSİZ İSPANYOLET (80 cm) ESPAGNOLETTE (80 cm)	ISCB140-VISP.450	1 ad / 1pk
	AKS8451	BARELSİZ İSPANYOLET (100 cm) ESPAGNOLETTE (100 cm)	ISCB140-VISP.451	1 ad / 1pk
	AKS8452	BARELSİZ İSPANYOLET (120 cm) ESPAGNOLETTE (120 cm)	ISCB140-VISP.452	1 ad / 1pk
	AKS8453	BARELSİZ İSPANYOLET (140 cm) ESPAGNOLETTE (140 cm)	ISCB140-VISP.453	1 ad / 1pk
	AKS8454	BARELSİZ İSPANYOLET (160 cm) ESPAGNOLETTE (160 cm)	ISCB140-VISP.454	1 ad / 1pk
	AKS8455	BARELSİZ İSPANYOLET (180 cm) ESPAGNOLETTE (180 cm)	ISCB140-VISP.455	1 ad / 1pk
	AKS8456	BARELSİZ İSPANYOLET (200 cm) ESPAGNOLETTE (200 cm)	ISCB140-VISP.456	1 ad / 1pk
	AKS4476	ROTO SECUSTİK PENCERE KOLU ROTO SECUSTIC WINDOW HANDLE	ISCB140-RK.291	1 pk / 20 ad
	AKS1529	FIRÇA FİTİLİ (4.8 - 4.5 mm) WEATHER STRIP (4.8 - 4.5 mm)	ISCB140-FÇ.705	350 metre
	AKS1536	FIRÇA FİTİLİ (6.8 - 6 mm) WEATHER STRIP (6.8 - 6 mm)	ISCB140-FÇ.708	350 metre
	AKS1540	FIRÇA FİTİLİ (6.8 - 10 mm) WEATHER STRIP (6.8 - 10 mm)	ISCB140-FÇ.712	200 metre
	AKS2288	3,9X25 mm YHB MATKAP UÇLU 3,9X25 mm SELF DRILLING SCREW (STRAIGHT TOP)	ISCB140-SC.294	1 pk /1000 ad
	AKS2285	3,9X16 mm YHB MATKAP UÇLU 3,9X16 mm SELF DRILLING SCREW (STRAIGHT TOP)	ISCB140-SC.291	1 pk /1000 ad
	AKS2257	3,9X16 mm YSB MATKAP UÇLU 3,9X16 mm SELD FRILLING SCREW (CURVED TOP)	ISCB140-SC.201	1 pk /1000 ad
	AKS2096	SİLİKON (ŞEFFAF) SILICON (TRANSPARENT)	ISCB140-SLK.100	1 koli / 25 ad



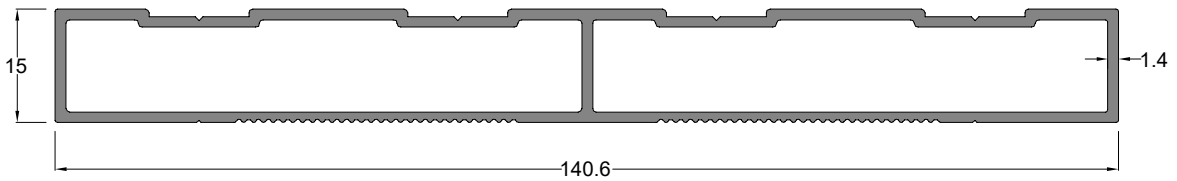
5 Raylı Eşikli Alt-Üst Ray Profili QUINTET RAIL THRESHOLD PROFILE (BOTTOM-TOP)	Profil Kodu Profile Code	(kg/mt) Weight
	13166	2,450



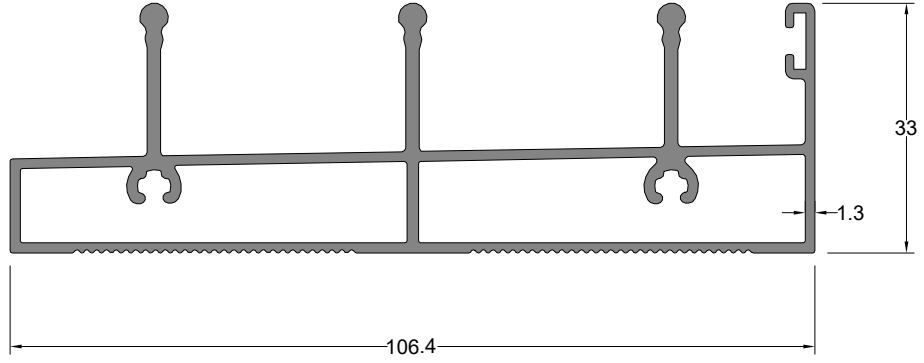
5 Raylı Eşikli Yan Kasa Profili QUINTET RAIL FRAME PROFILE (SIDE)	Profil Kodu Profile Code	(kg/mt) Weight
	13165	1,588



4 Raylı Eşikli Alt-Üst Ray Profili QUAD RAIL THRESHOLD PROFILE (BOTTOM-TOP)	Profil Kodu Profile Code	(kg/mt) Weight
	12664	1,915

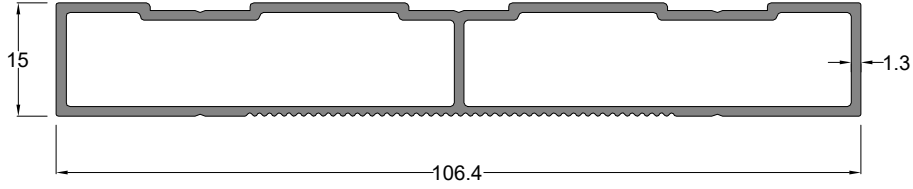


4 Raylı Yan Kasa Profili QUAD RAIL FRAME PROFILE (SIDE)	Profil Kodu Profile Code	(kg/mt) Weight
	12665	1,192



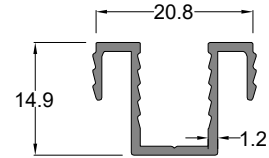
3 Raylı Eşikli Alt-Üst Ray Profili
 TRIPLE RAIL THRESHOLD PROFILE (BOTTOM-TOP)

Profil Kodu Profile Code	(kg/mt) Weight
13164	1,364



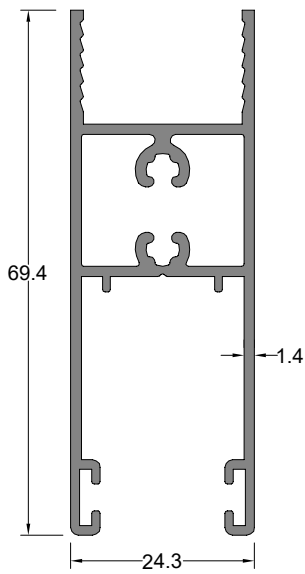
3 Raylı Yan Kasa Profili
 TRIPLE RAIL FRAME PROFILE (SIDE)

Profil Kodu Profile Code	(kg/mt) Weight
13163	0,865



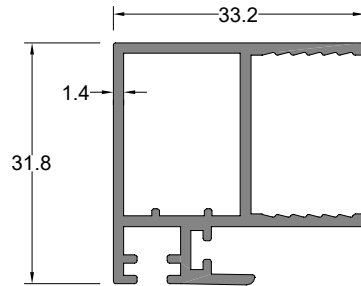
Tek Cam Adaptör Profili
 SINGLE GLAZING ADAPTER PROFILE

Profil Kodu Profile Code	(kg/mt) Weight
13162	0,180



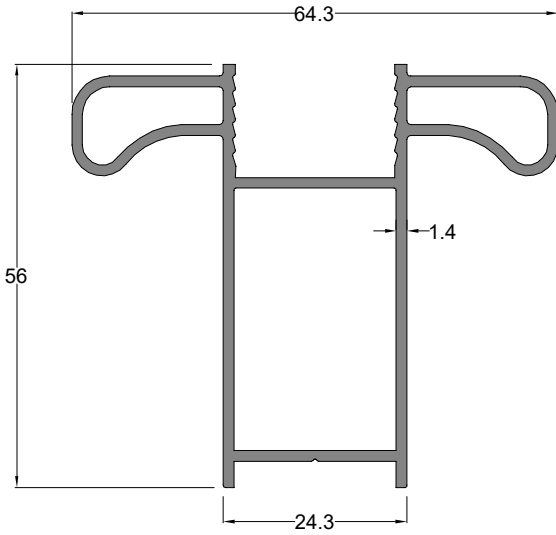
Alt-Üst Etek Profili
 END PROFILE (BOTTOM-TOP)

Profil Kodu Profile Code	(kg/mt) Weight
12666	0,861

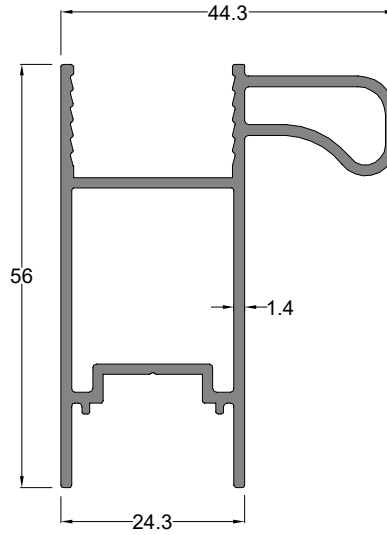


Kenet Profili
 INTERLOCKING PROFILE

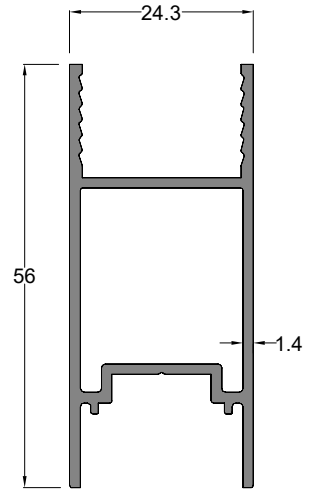
Profil Kodu Profile Code	(kg/mt) Weight
12667	0,550



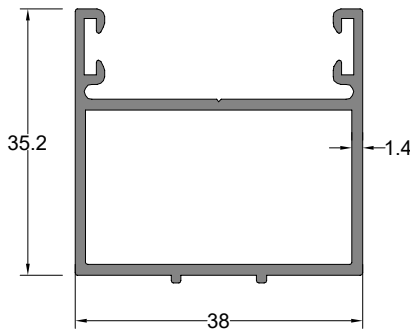
Kulplu Kanat Profili	Profil Kodu	(kg/mt)
HANDLE SASH PROFILE	Profile Code	Weight
	12668	0,965



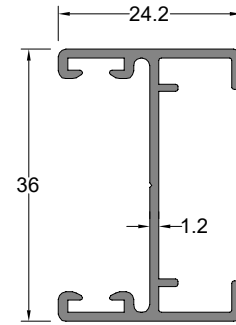
Teki Kulplu Kanat Profili	Profil Kodu	(kg/mt)
SINGLE HANDLE SASH PROFILE	Profile Code	Weight
	14176	0,816



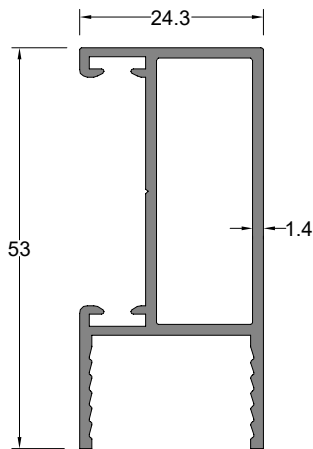
Kanat Profili	Profil Kodu	(kg/mt)
SASH PROFILE	Profile Code	Weight
	12669	0,632



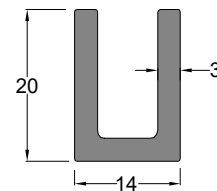
Kasa Kilit Adaptör Profili	Profil Kodu	(kg/mt)
FRAME ADAPTER PROFILE (FOR LOCK)	Profile Code	Weight
	12670	0,583



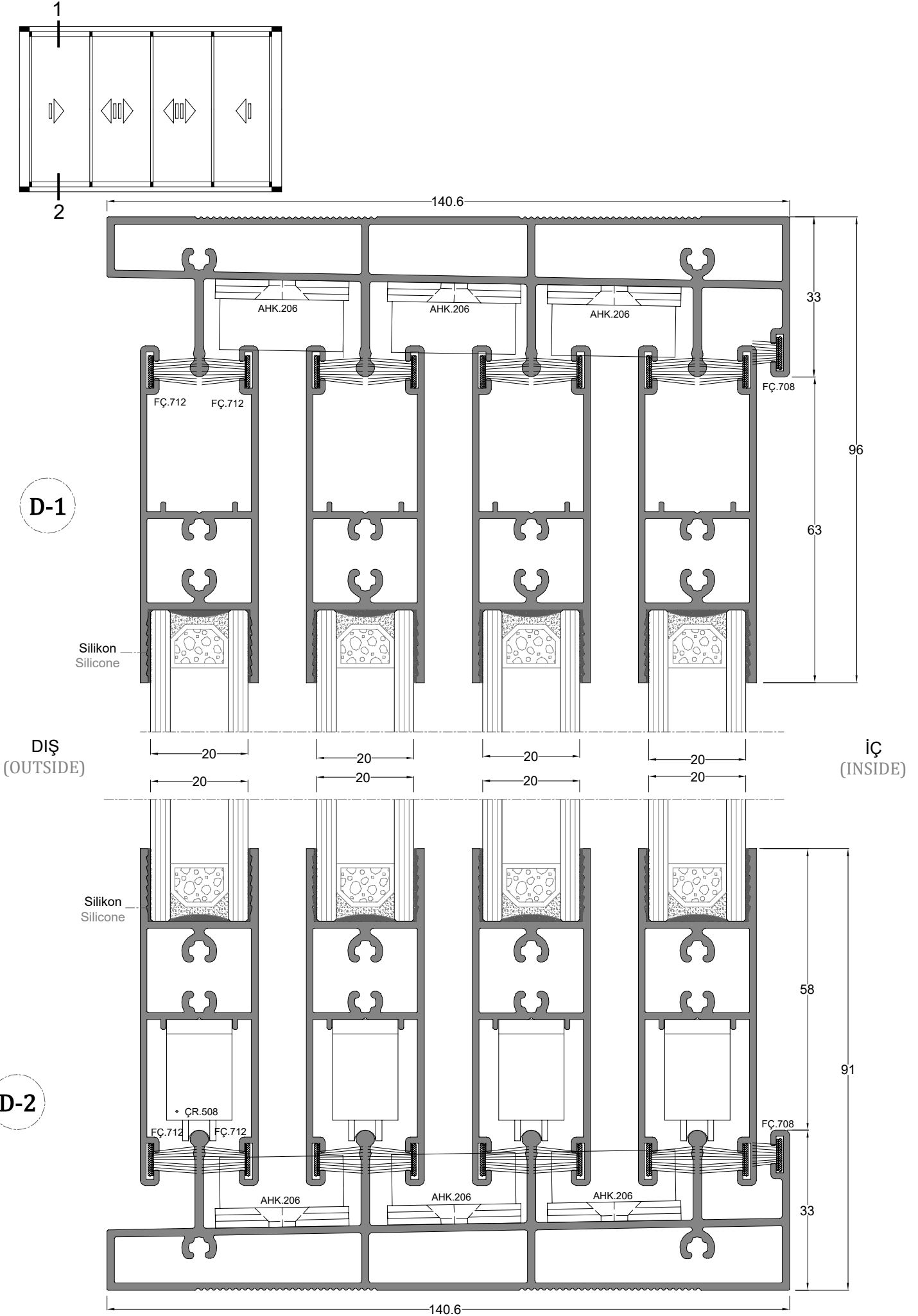
Kanat Kilit Adaptör Profili	Profil Kodu	(kg/mt)
SASH ADAPTER PROFILE (FOR LOCK)	Profile Code	Weight
	12671	0,361

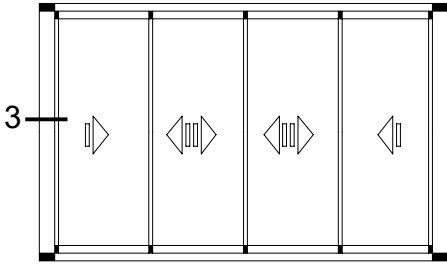


90° Dönüş Profili	Profil Kodu	(kg/mt)
90° CORNER PROFILE	Profile Code	Weight
	12672	0,599



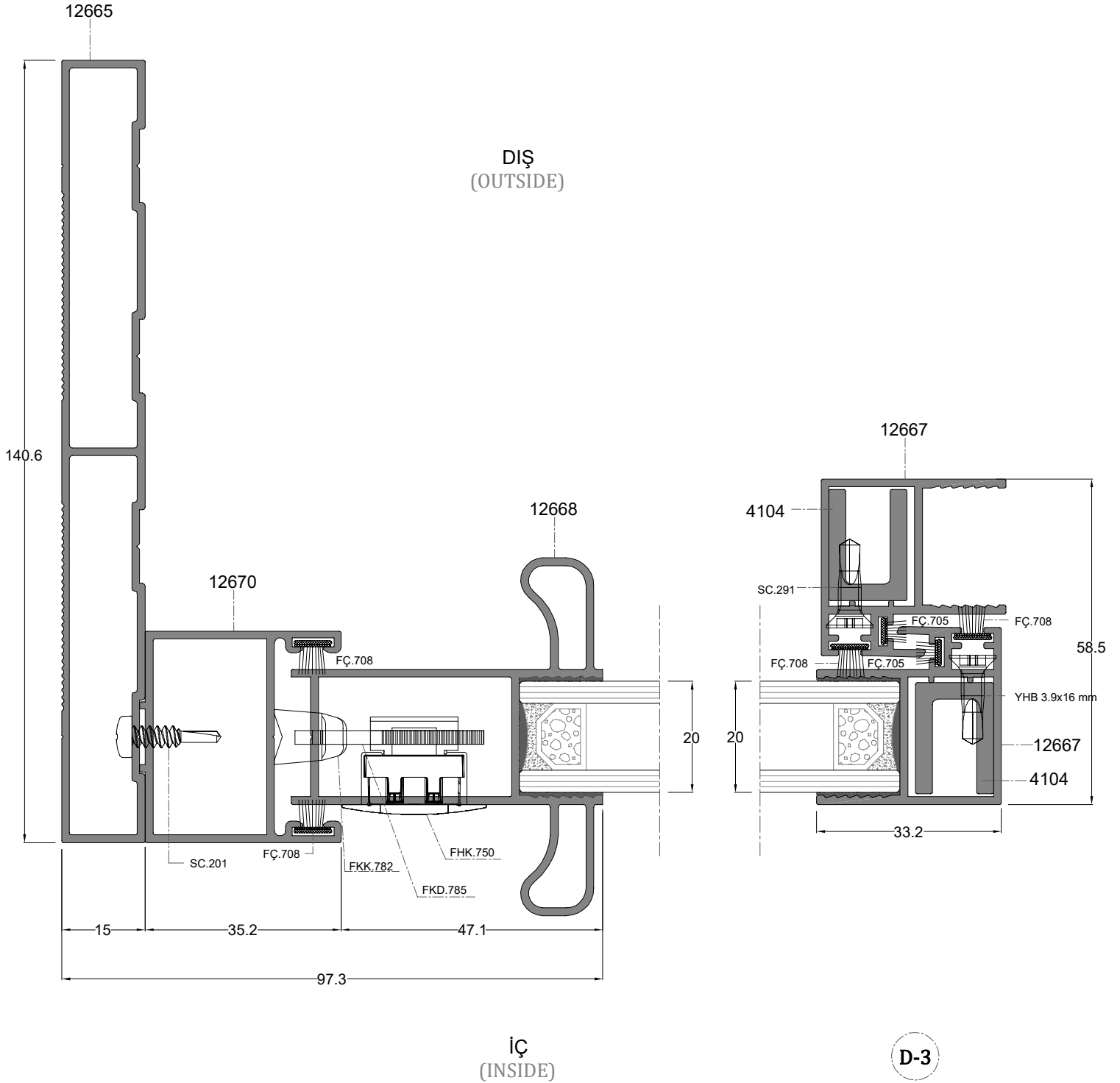
Ek Takviye U Profili	Profil Kodu	(kg/mt)
REINFORCING U PROFILE	Profile Code	Weight
	4104	0,391

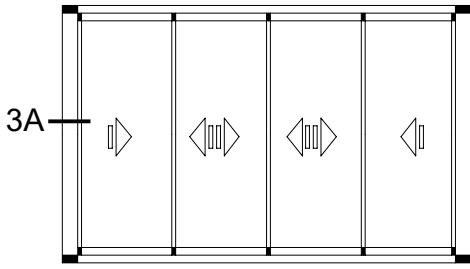




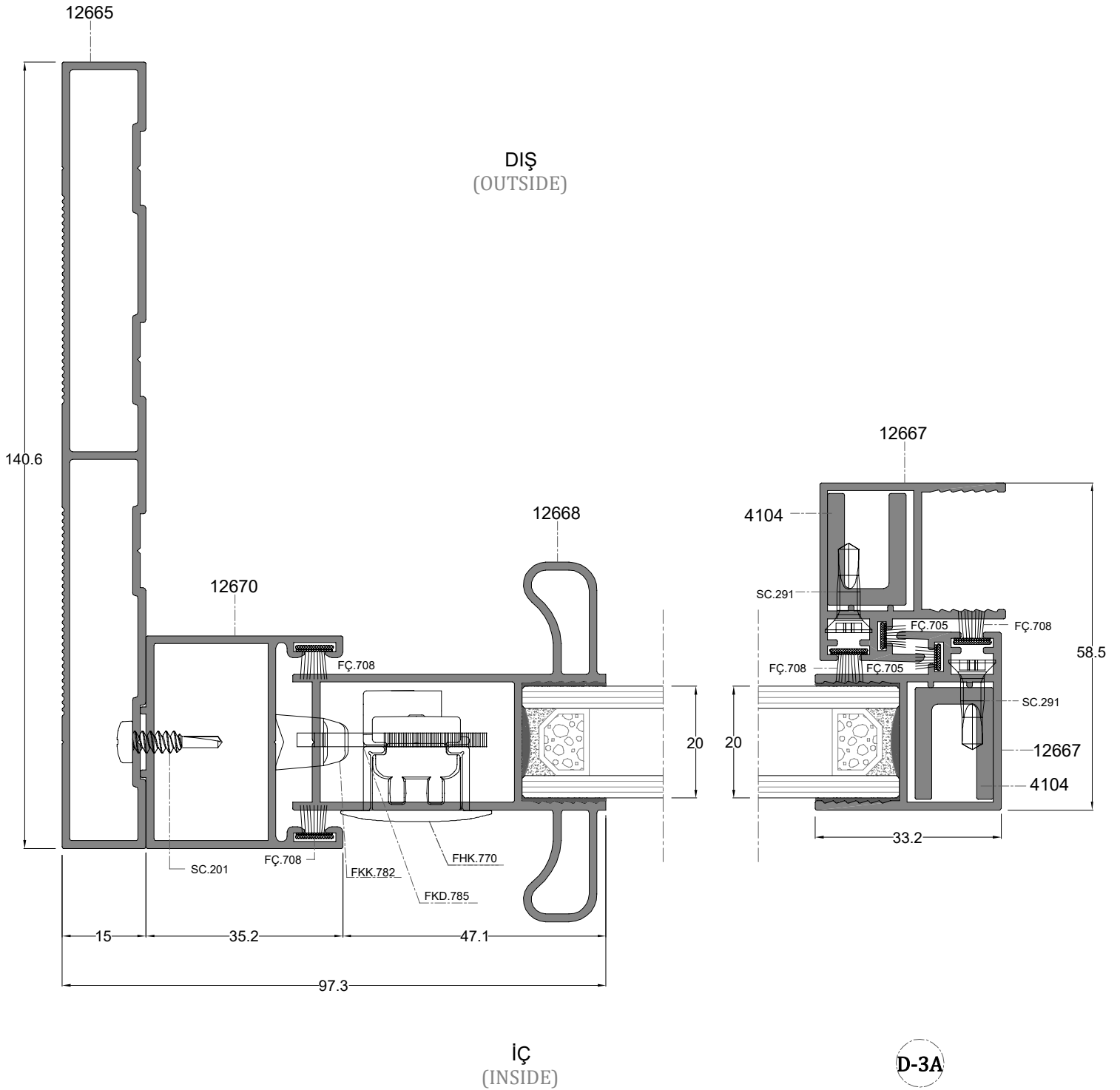
1. Kilit Alternatifi : Havuz Kollu Detay

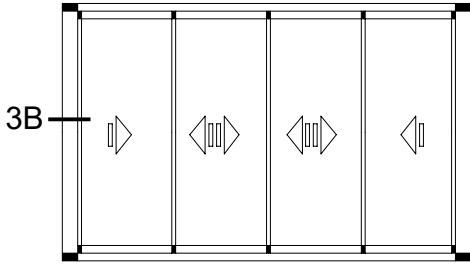
LOCK ALTERNATIVE : RECESSED HANDLE DETAIL



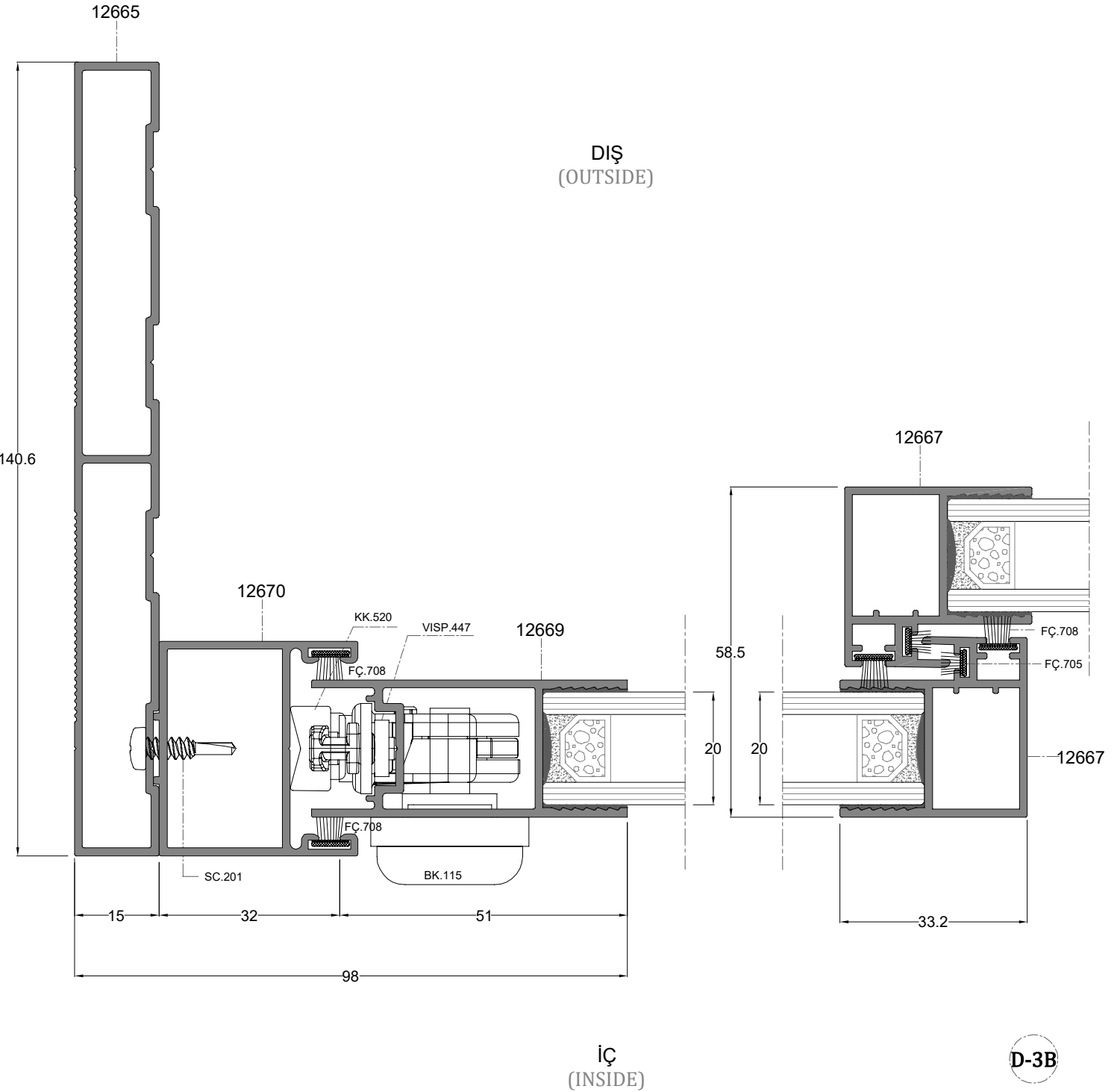


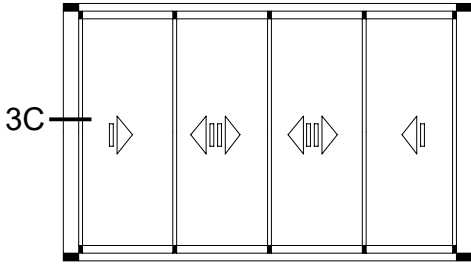
1. Kilit Alternatifi : Anahtarlı Havuz Kollu Detay
LOCK ALTERNATIVE : RECESSED HANDLE LOCK WITH KEY DETAIL



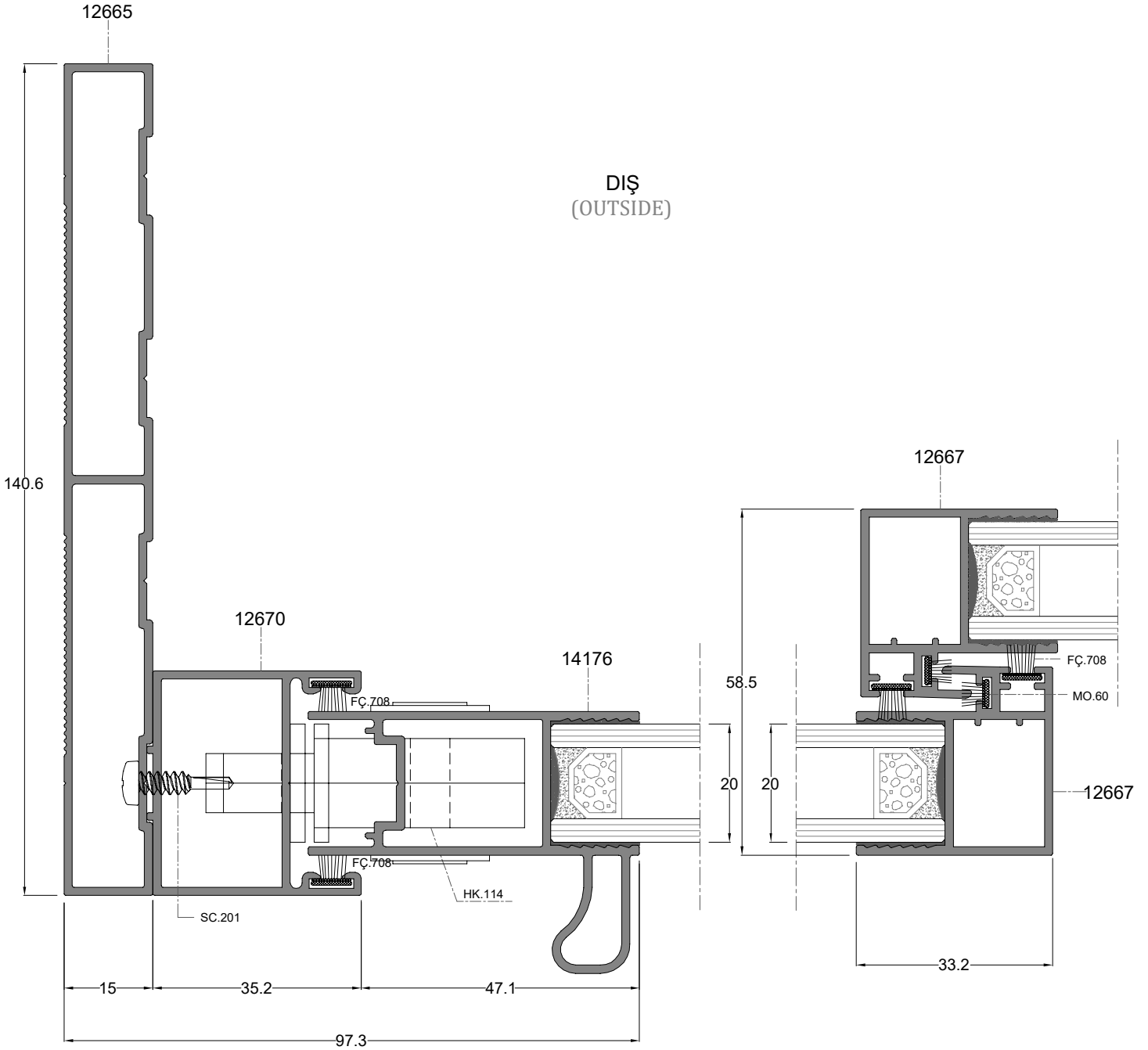


2. Kilit Alternatifi : Sürme İspanyoletli Detay
LOCK ALTERNATIVE : SLIDING ESPAGNOLETTE DETAIL



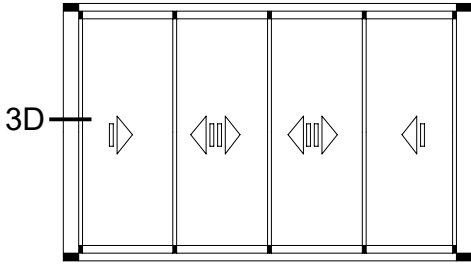


3. Kilit Alternatifi : Horoz Kilitli Detay
LOCK ALTERNATIVE : HOOK LOCK DETAIL



İÇ
(INSIDE)

D-3C



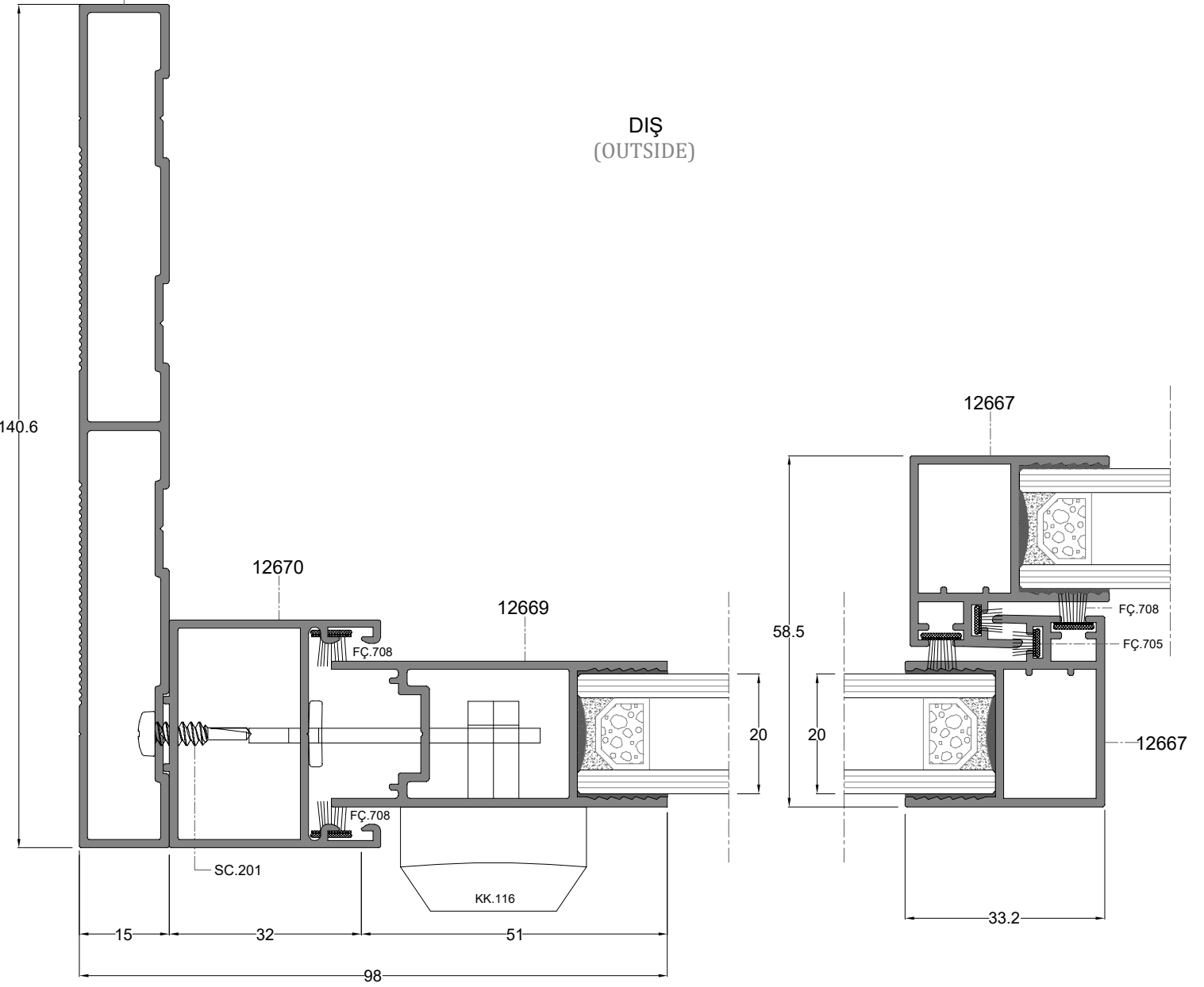
3D

4. Kilit Alternatifi : Kanca Kilitli Detay
LOCK ALTERNATIVE : HOOK LOCK DETAIL

12665

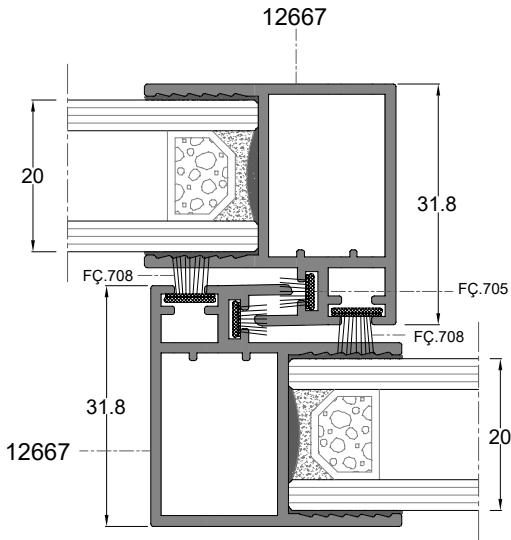
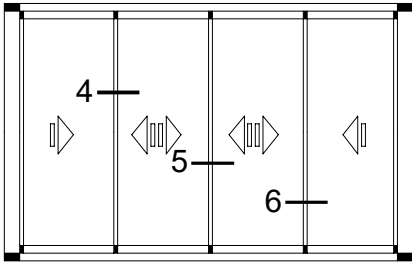
DIŞ
(OUTSIDE)

12667



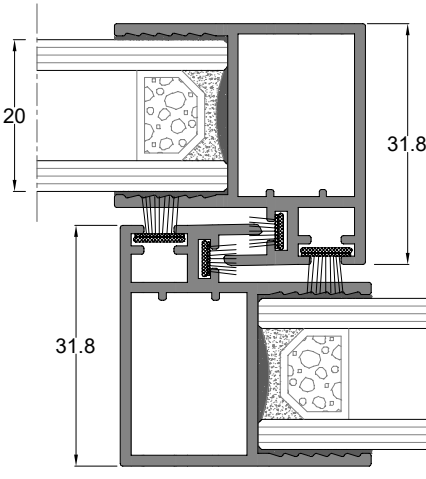
İÇ
(INSIDE)

D-3D

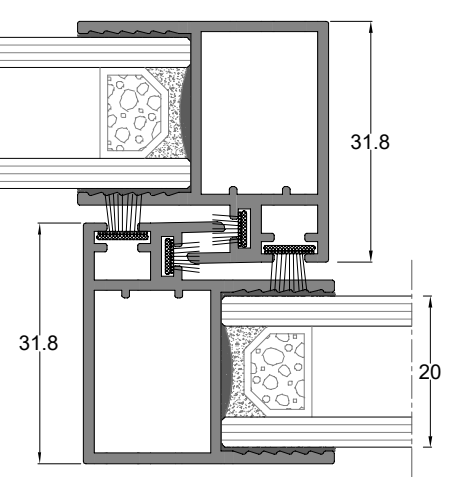


D-4

DIŞ
(OUTSIDE)

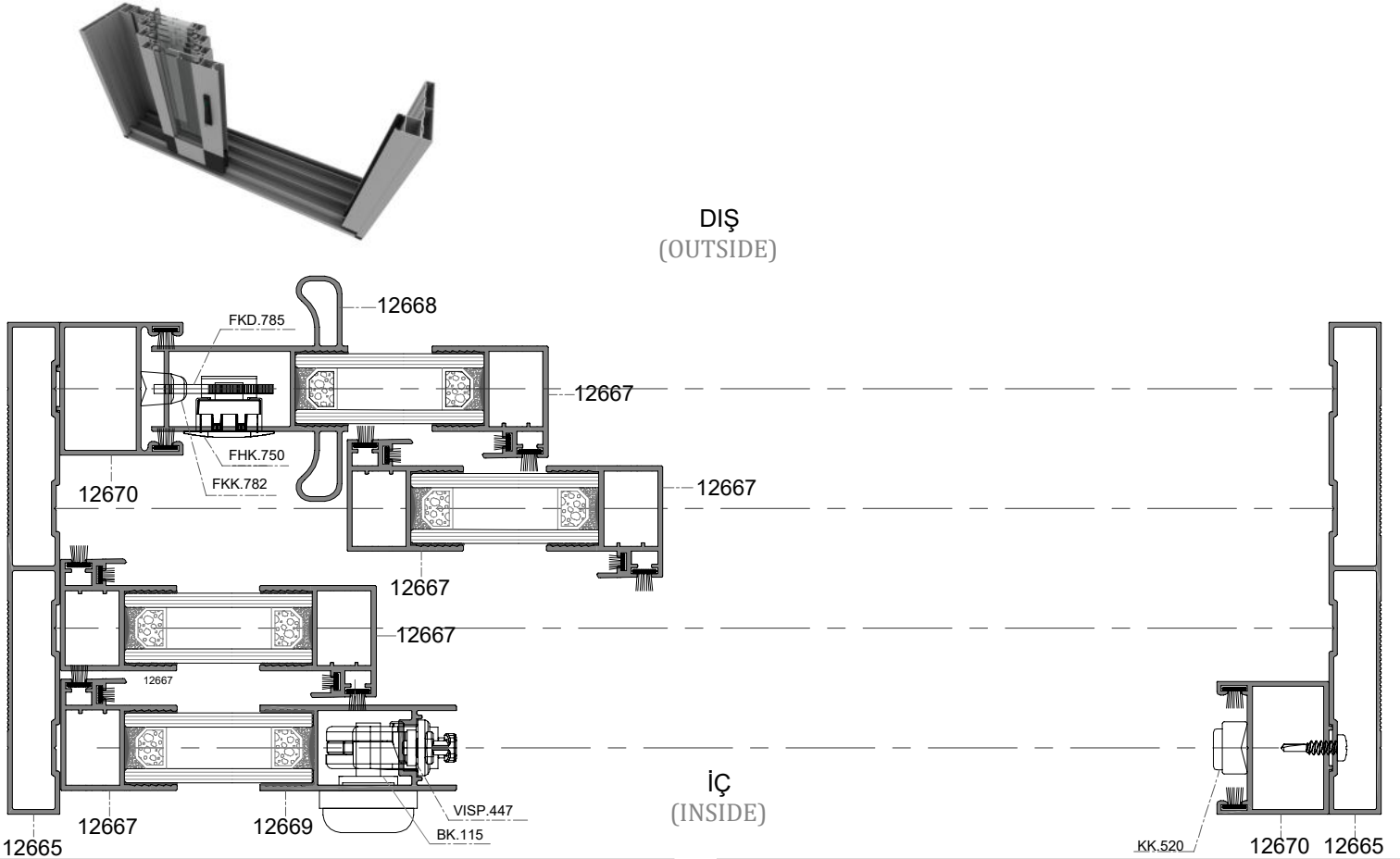
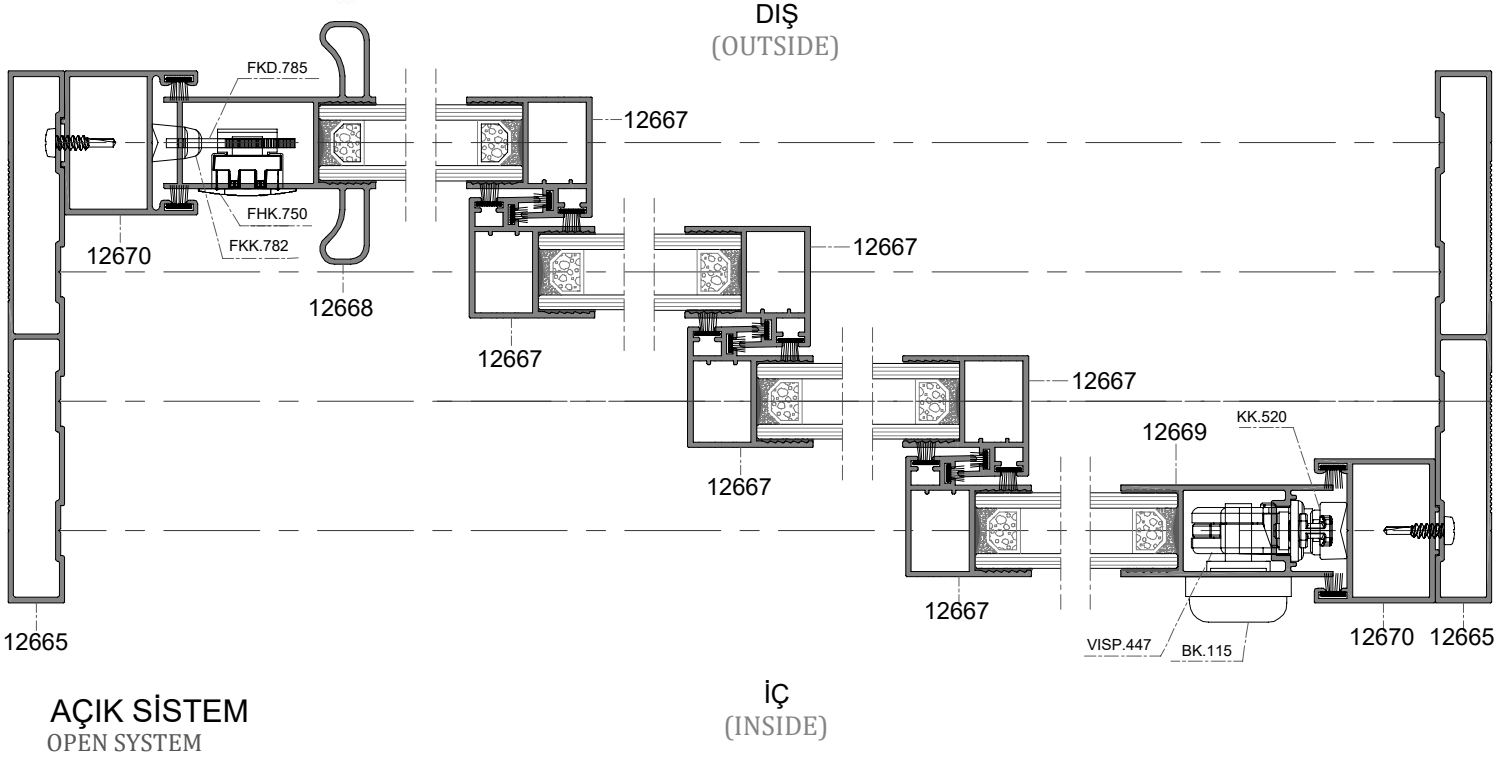
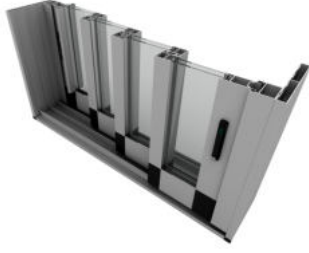


D-5



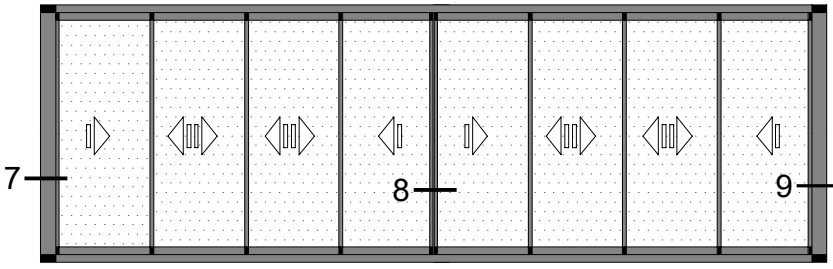
D-6

İÇ
(INSIDE)

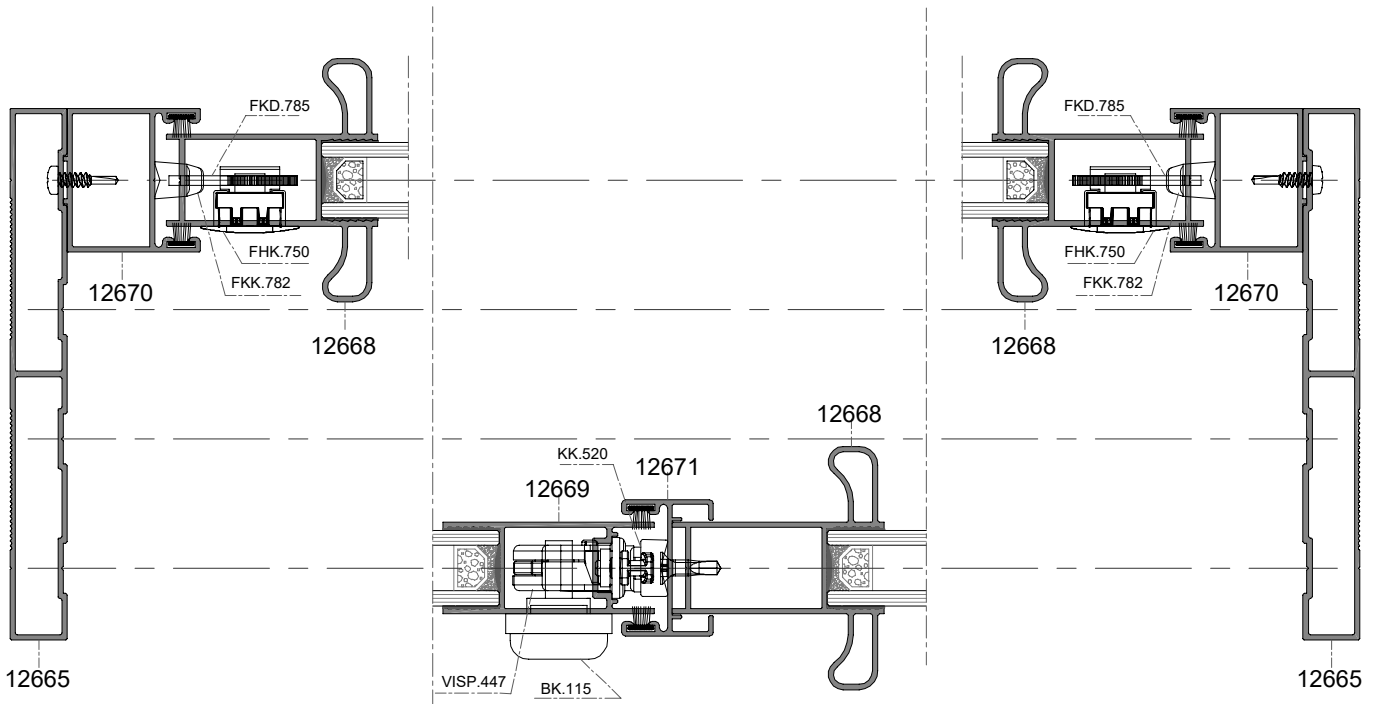


4+4 DİAGRAM BİRLEŞİM DETAYI

4+4 DIAGRAM CONNECTION DETAIL



DIŞ
(OUTSIDE)



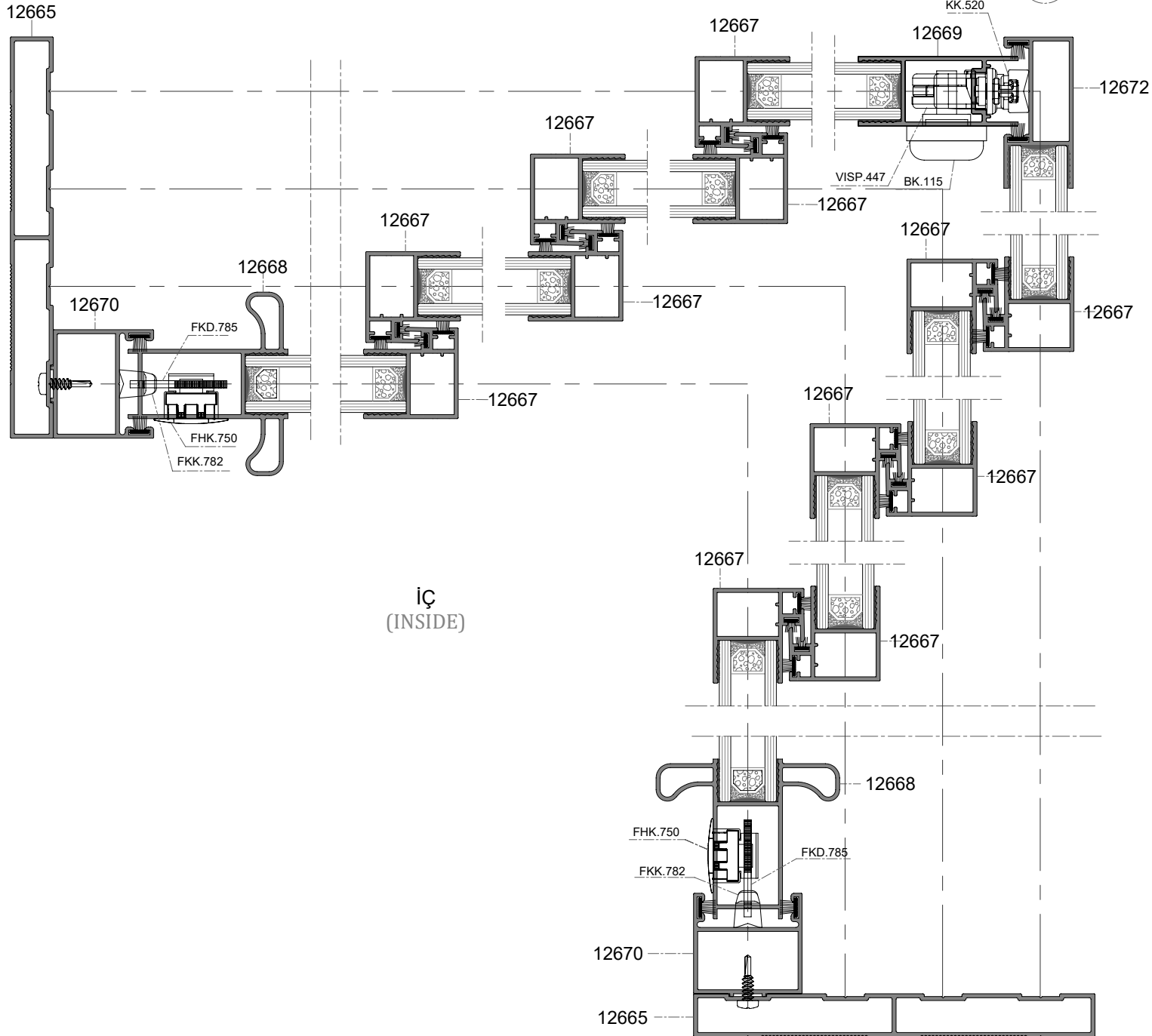
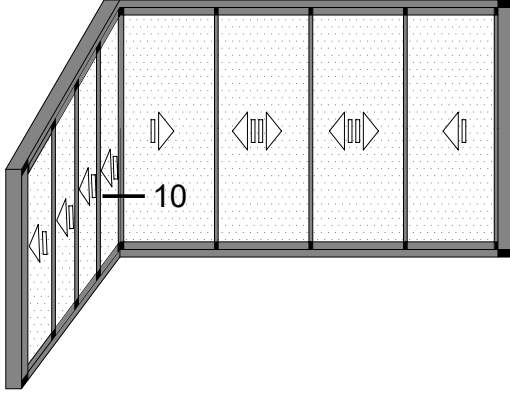
D-7

D-8

D-9

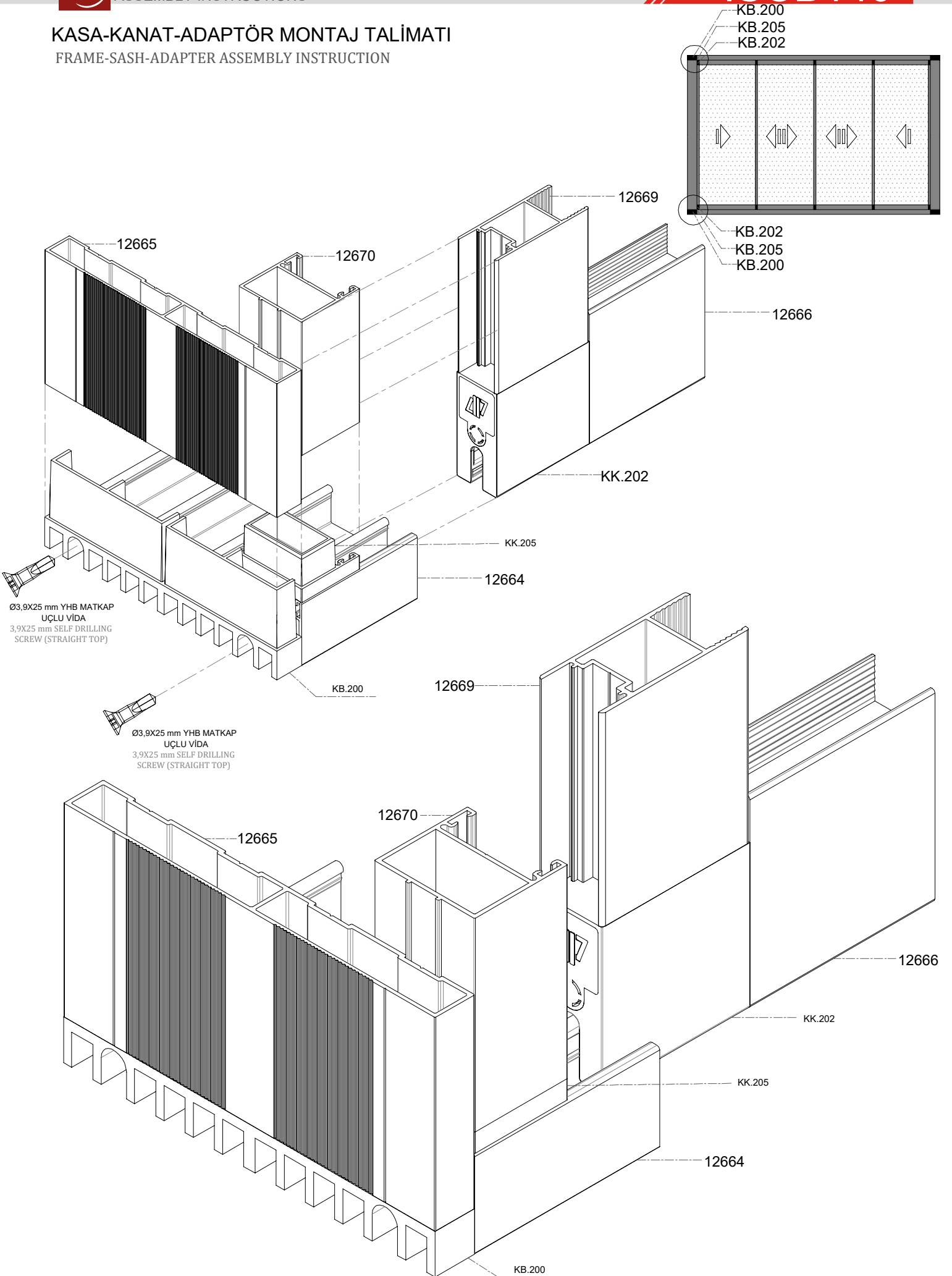
İÇ
(INSIDE)

90° KÖŞE DÖNÜŞ DETAYI
90° CORNER DETAIL





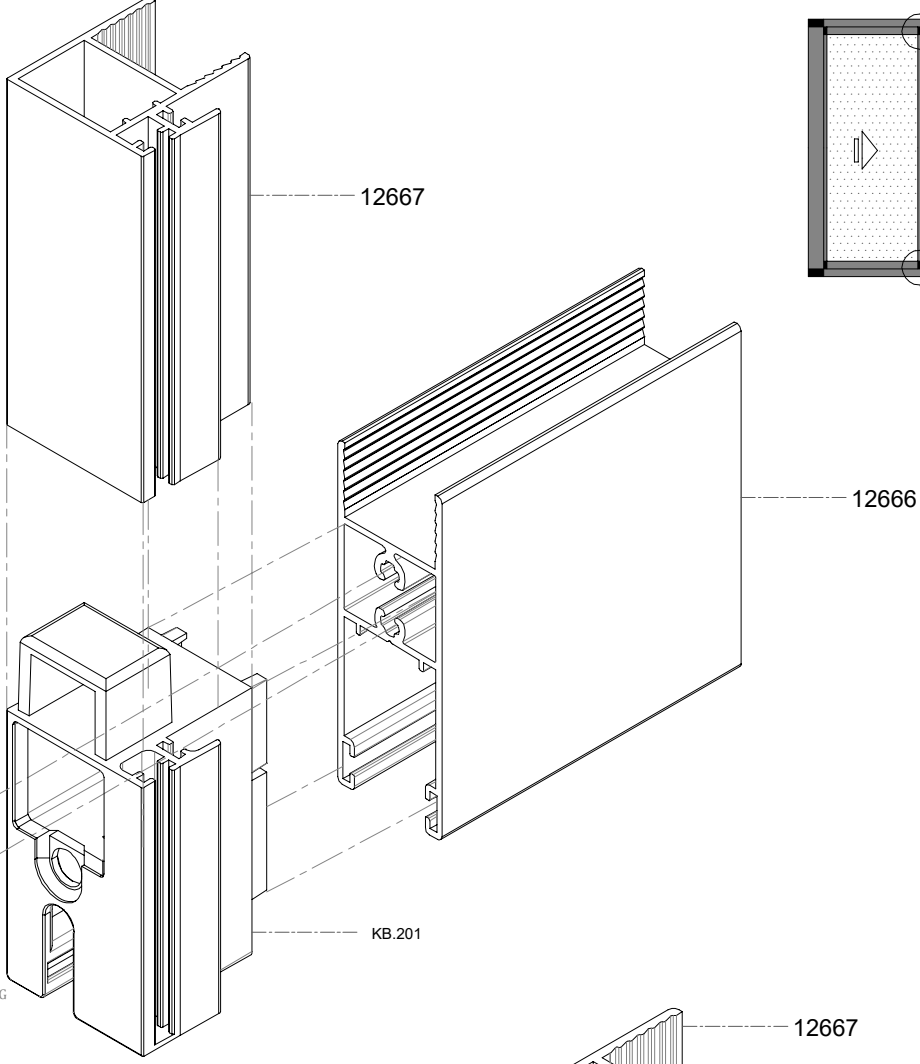
KASA-KANAT-ADAPTÖR MONTAJ TALİMATI
FRAME-SASH-ADAPTER ASSEMBLY INSTRUCTION





ETEK - KENET BAĞLANTI MONTAJ TALİMATI

BOTTOM AND INTERLOCKING CONNECTION ASSEMBLY INSTRUCTION



Ø3,9X25 mm YHB MATKAP
UÇLU VİDA
3,9X25 mm SELF DRILLING
SCREW (STRAIGHT TOP)

Ø3,9X25 mm YHB
MATKAP
UÇLU VİDA
3,9X25 mm SELF DRILLING
SCREW (STRAIGHT TOP)

SR.204

FÇ.705 (4.8-4.5 mm)

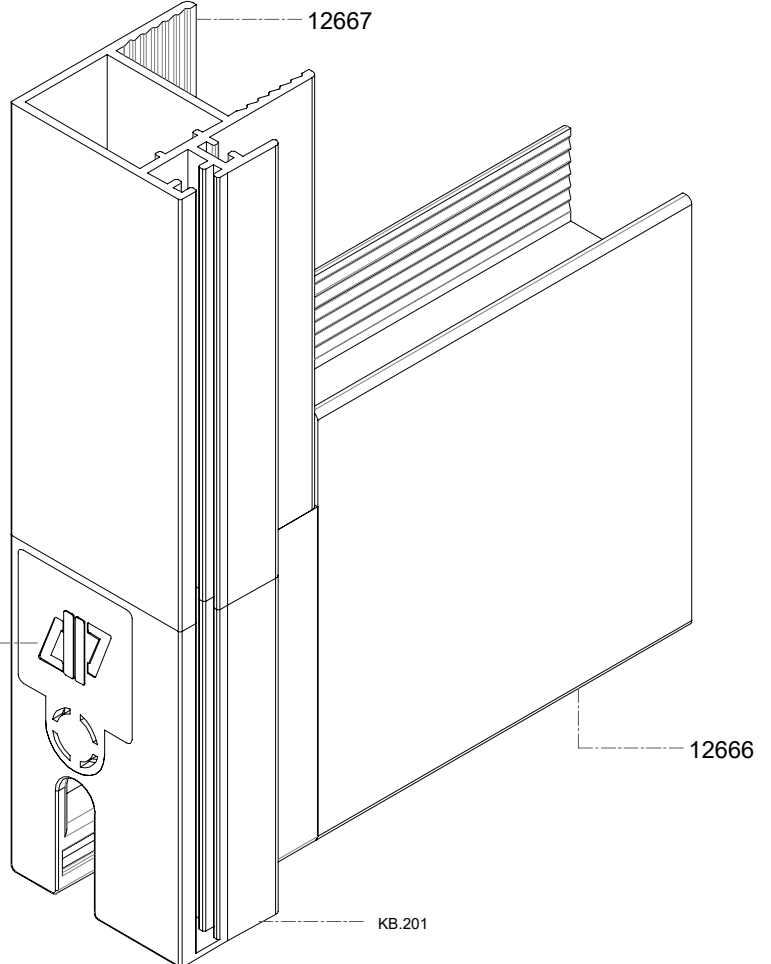
FÇ.708(6.8-6 mm)

Falçata
Curved
Knife



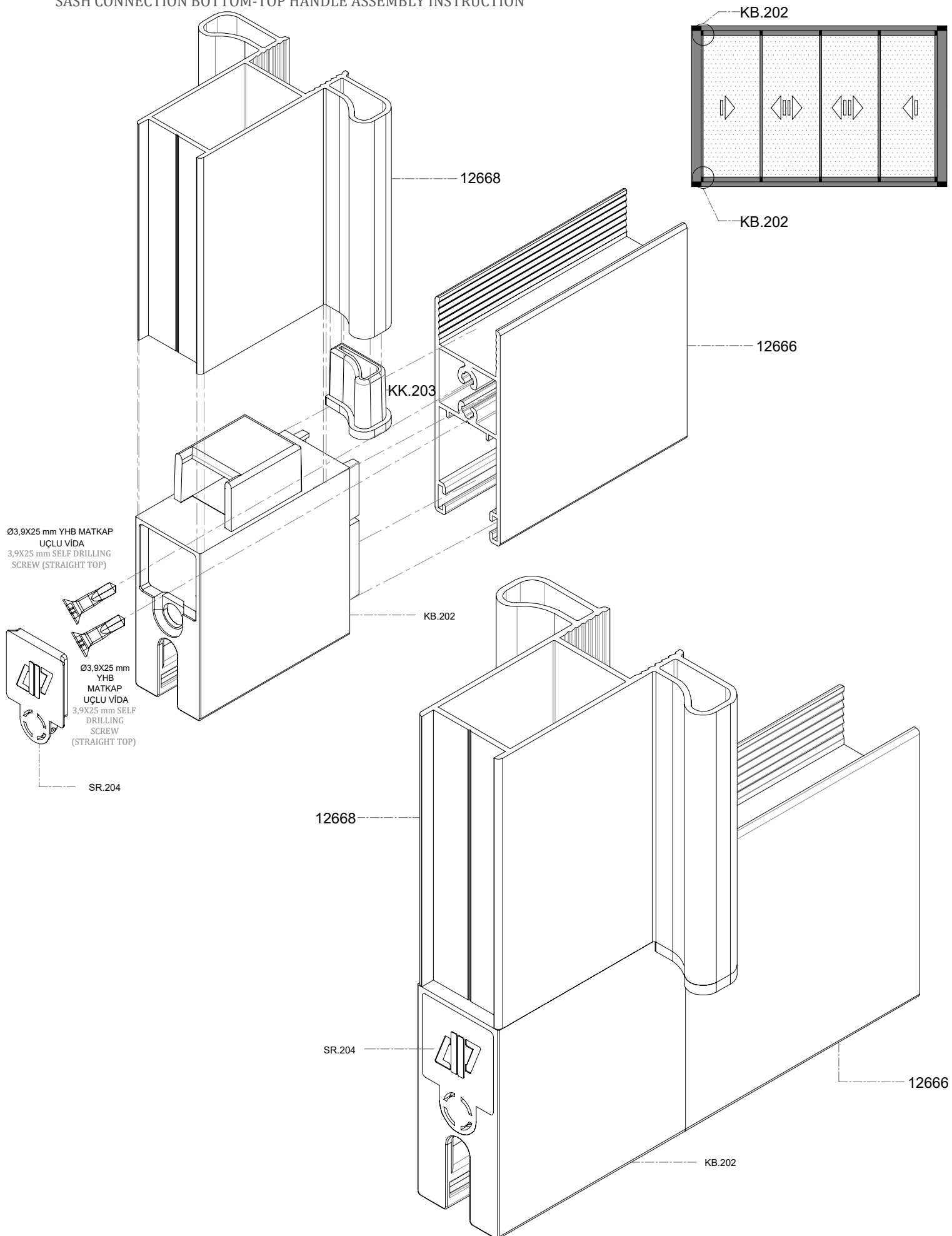
KIL FİTİLLER
KAPAKLARLA
BİRLİKTE TAKILIRKEN
5'ER CM UZUN
KESİLMELİDİR.
WEATHER STRIPS SHOULD
BE CUTTED 5 CM LONG
WHEN ATTACHED
WITH COVERS.

SR.204

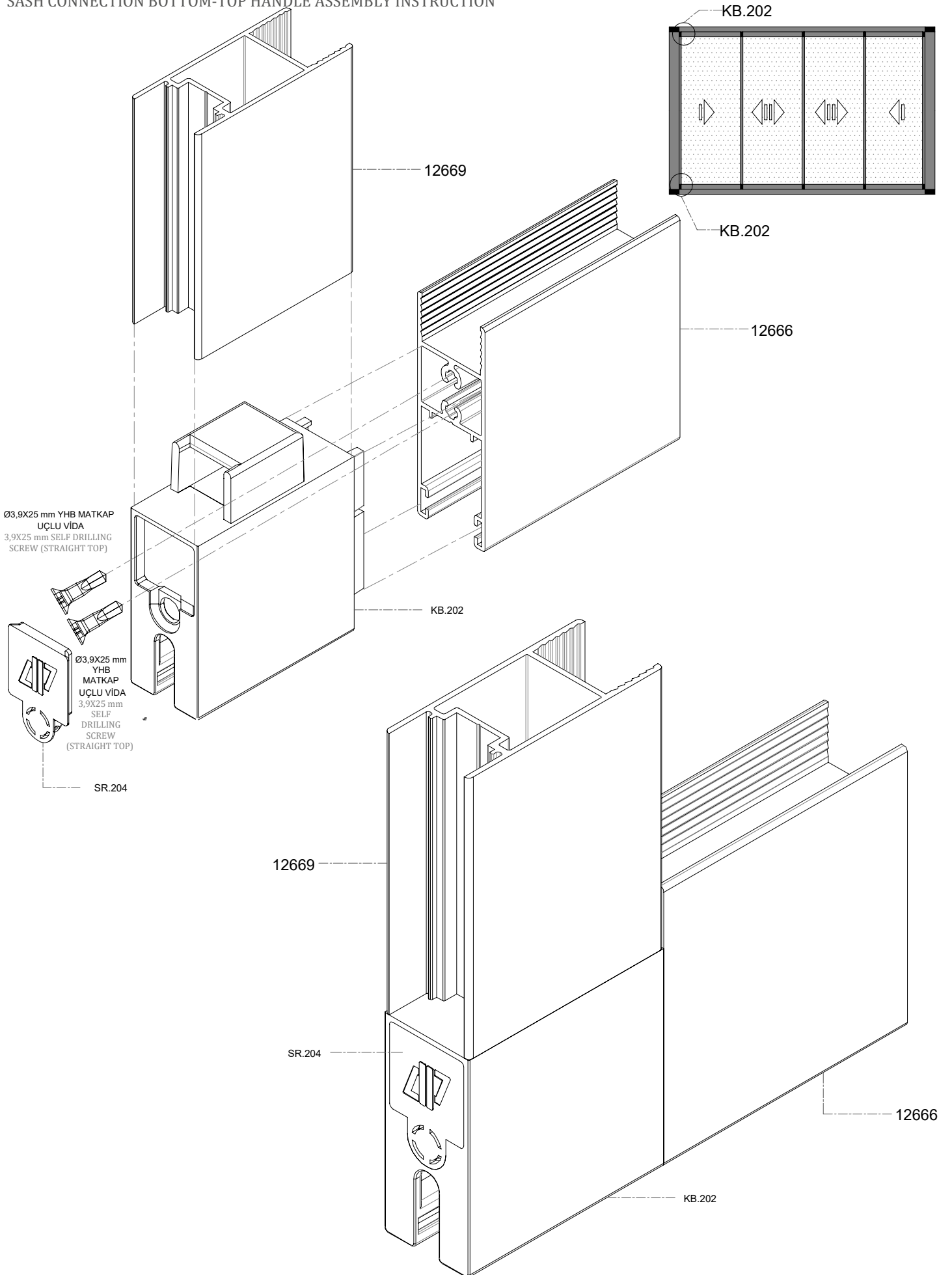




ETEK - KULPLU KANAT MONTAJ TALİMATI
SASH CONNECTION BOTTOM-TOP HANDLE ASSEMBLY INSTRUCTION

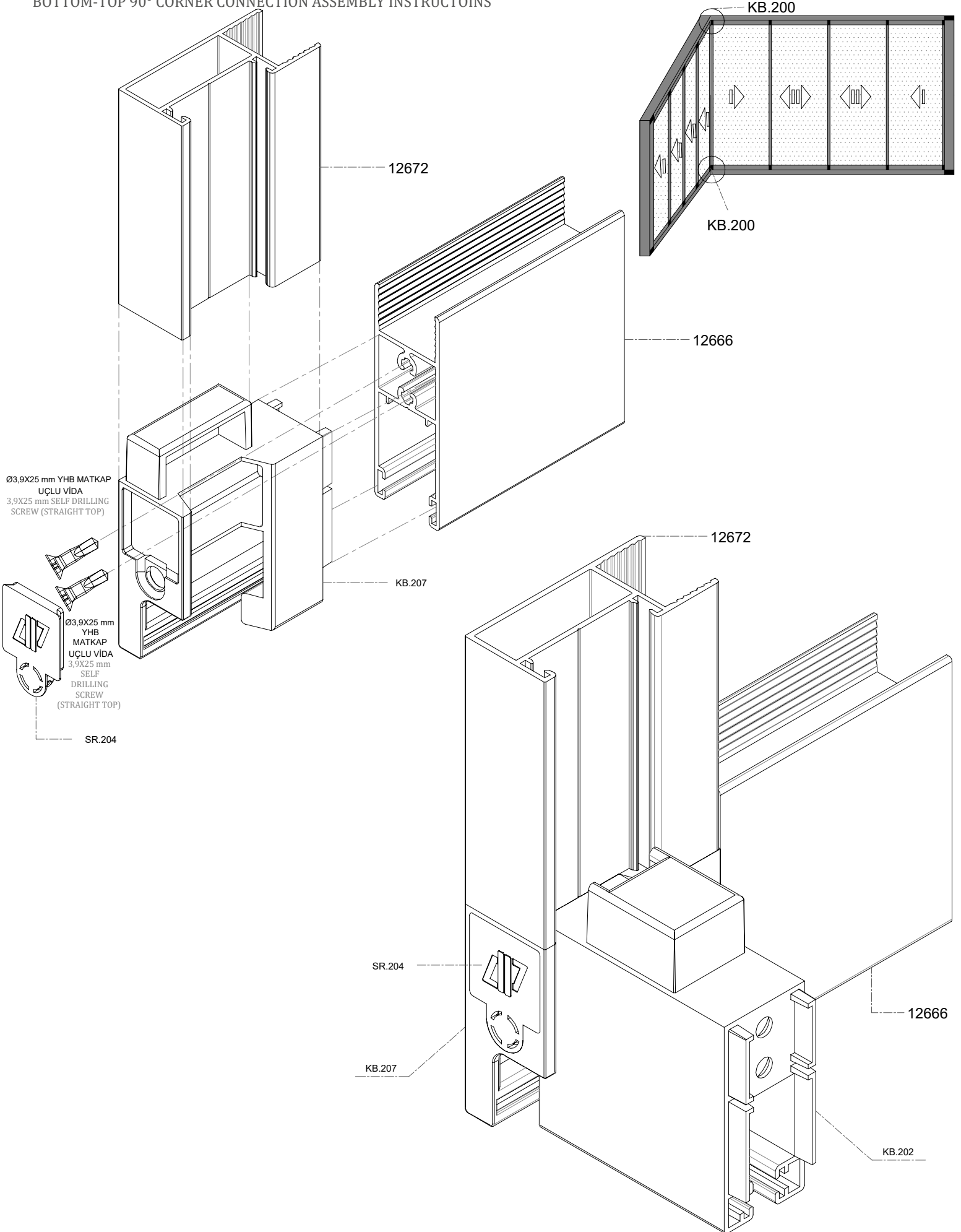


ETEK - KULPSUZ KANAT BAĞLANTI MONTAJ TALİMATI
SASH CONNECTION BOTTOM-TOP HANDLE ASSEMBLY INSTRUCTION



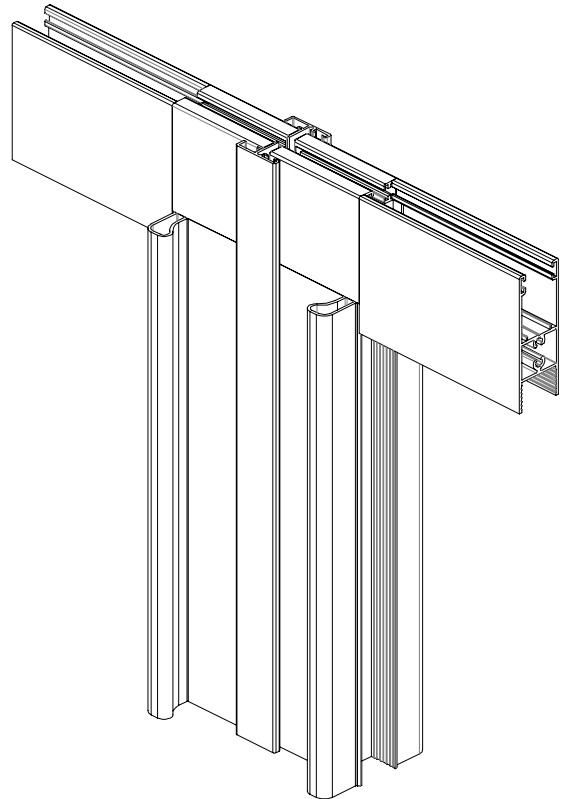
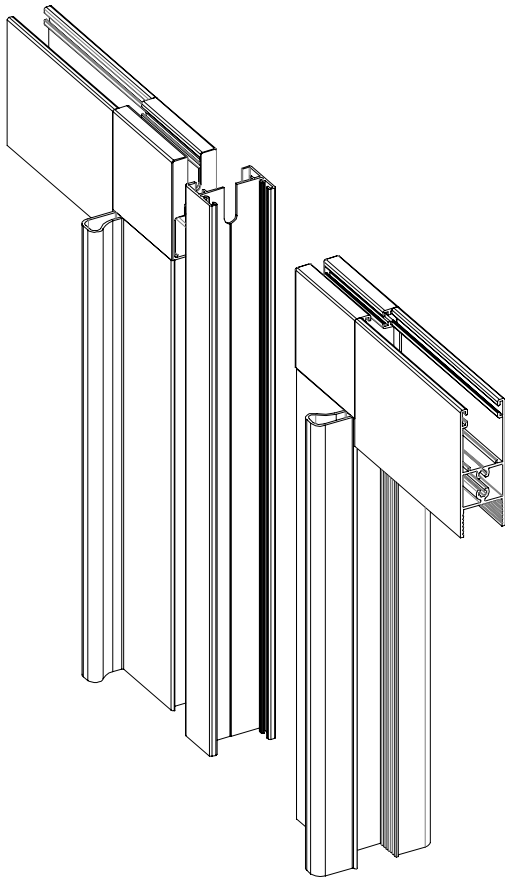
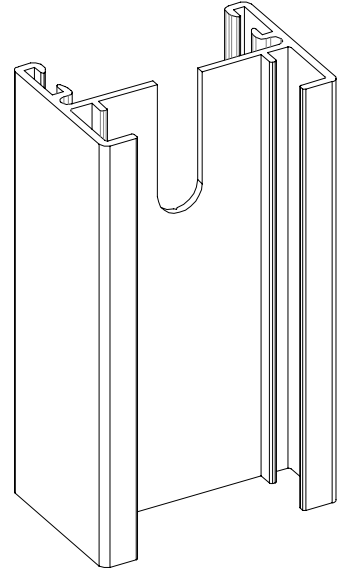
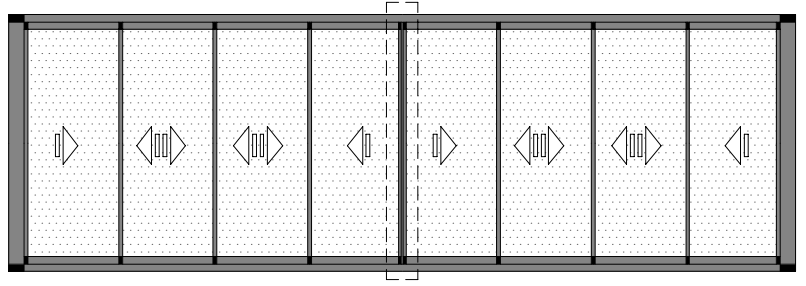
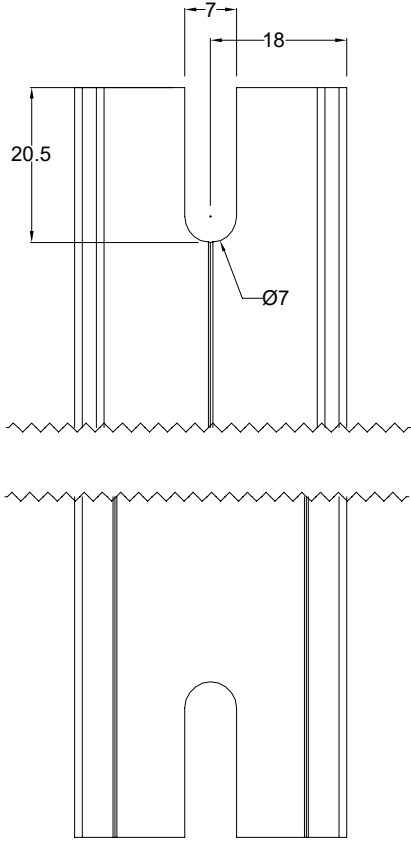


ETEK - 90° DÖNÜŞ BAĞLANTI MONTAJ DETAYI
BOTTOM-TOP 90° CORNER CONNECTION ASSEMBLY INSTRUCTOINS



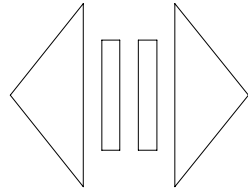
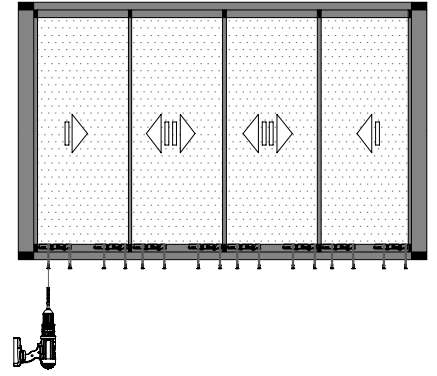
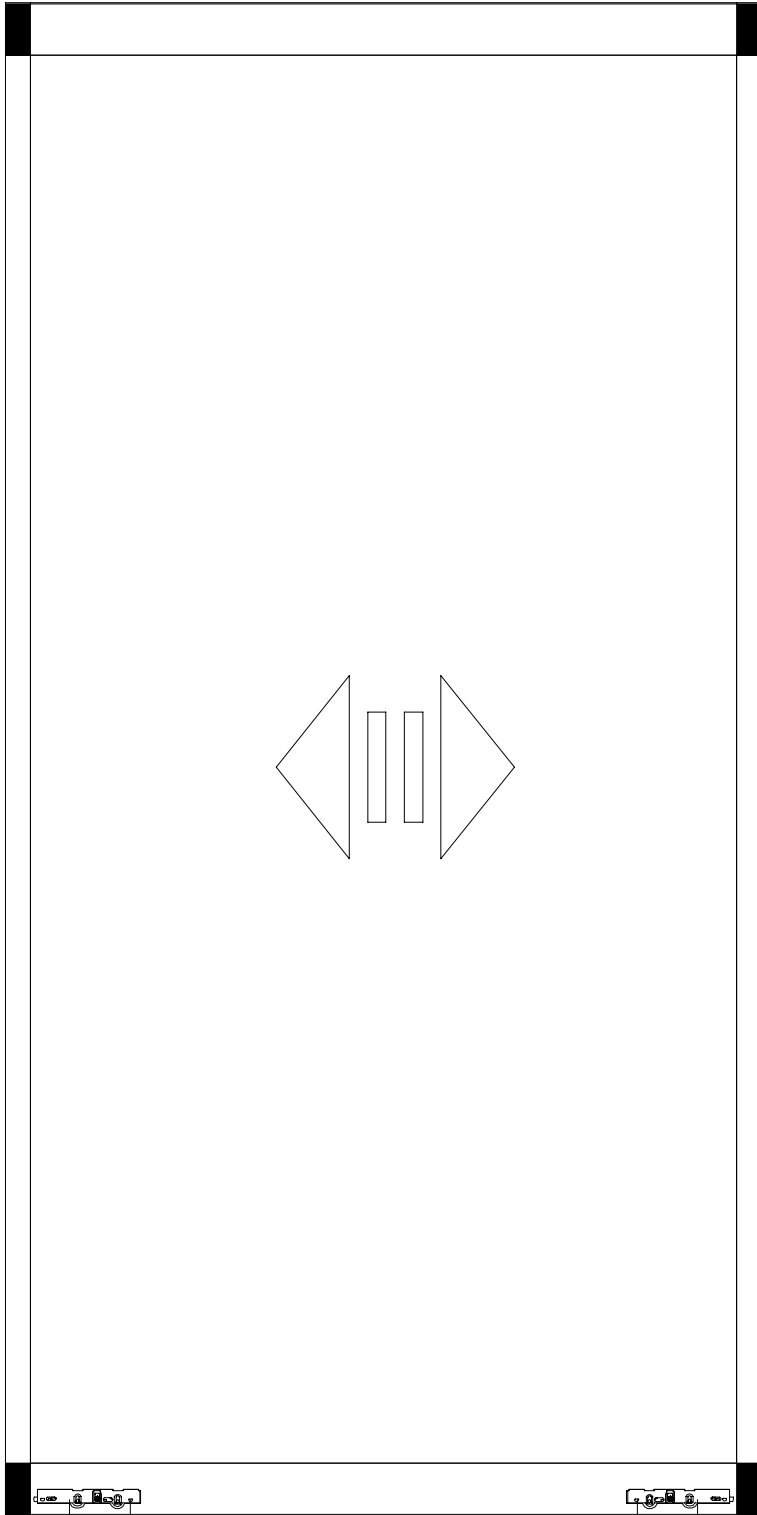


KANAT KİLİT ADAPTÖRÜ MONTAJ TALİMATI
SASH LOCK ADAPTER ASSEMBLY INSTRUCTION



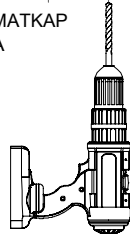
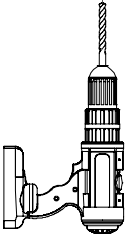


RULMAN MONTAJ TALİMATLARI
ROLLER ASSEMBLY INSTRUCTIONS



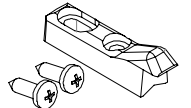
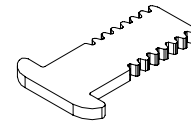
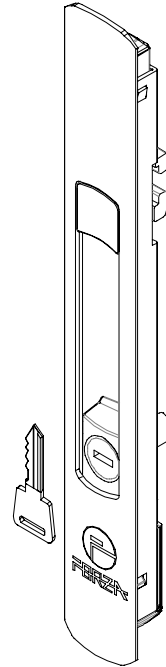
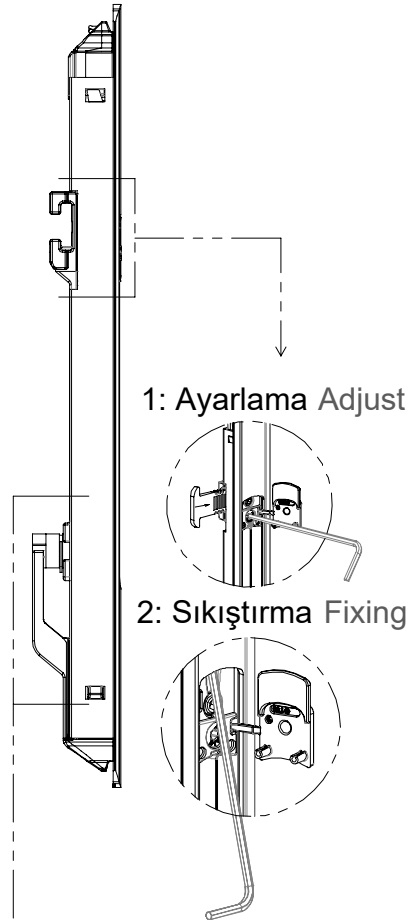
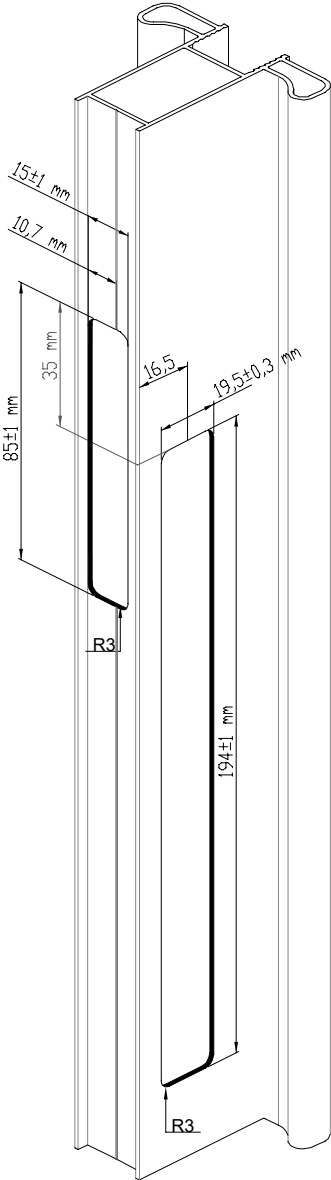
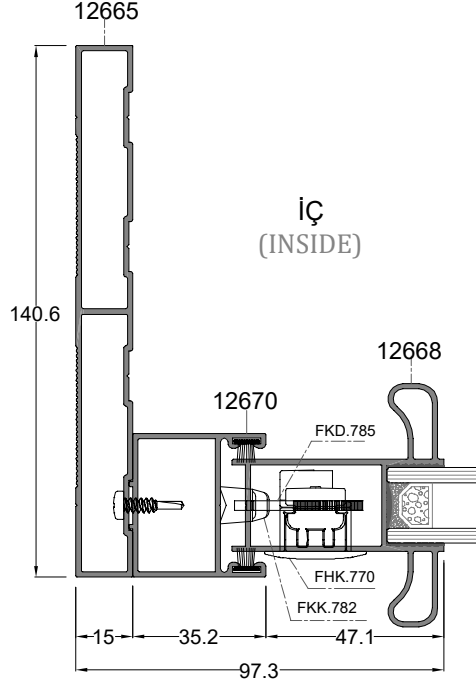
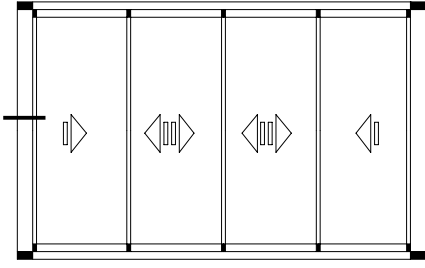
Ø3,9X16 mm YHB MATKAP
UÇLU VİDA
SCREW

Ø3,9X16 mm YHB MATKAP
UÇLU VİDA
SCREW



HAVUZ KOL MONTAJ TALİMATLARI

ASSEMBLY INSTRUCTIONS FOR RECESSED HANDLE AUTOMATIC



KOD 01 050770

KOD 01 050785

KOD 01 050782

NOT : Forza kilit dilini yağlayarak kullan.

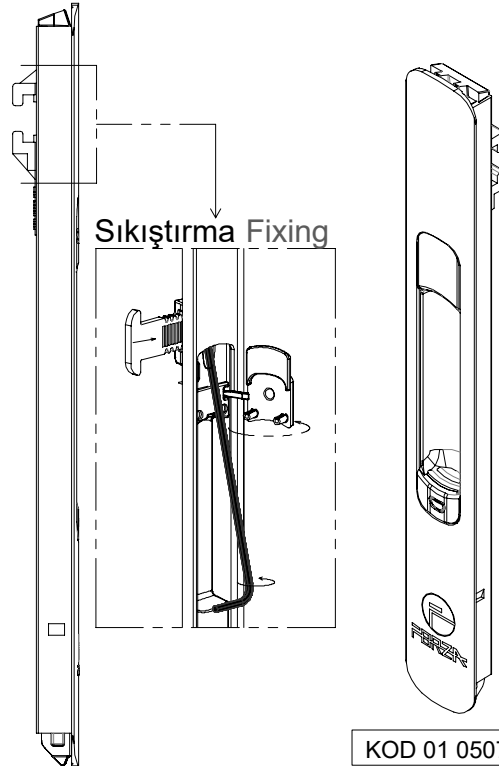
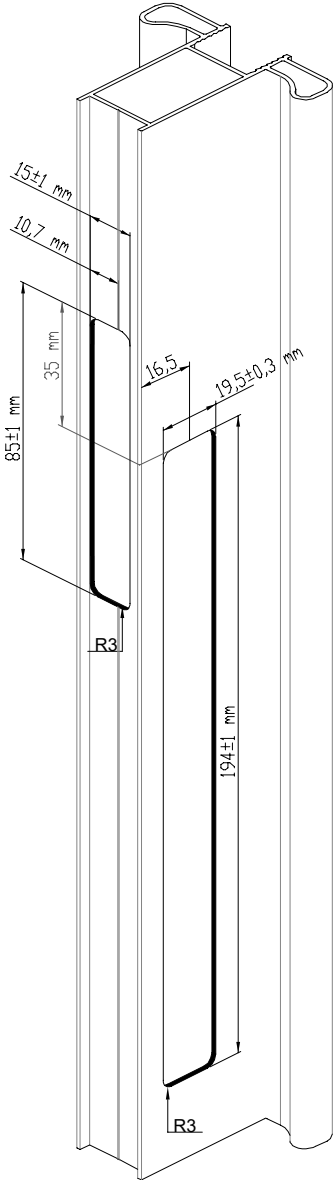
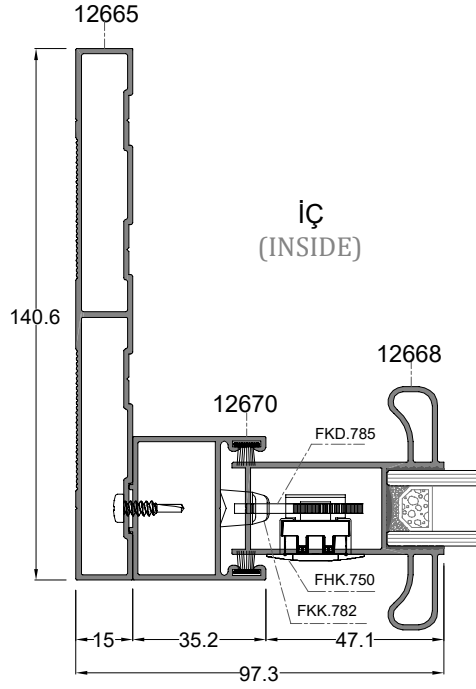
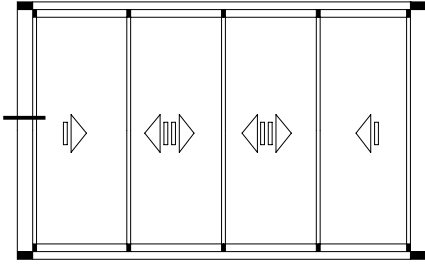
Yayını çıkartarak veya takarak manuel veya otomatikçe çevrilebilir.

Can be converted to manuel and vice-versa by mounting or removing a spring.

ÖLÇEK:1/2
SCALE:1/2

HAVUZ KOL MONTAJ TALİMATLARI

ASSEMBLY INSTRUCTIONS FOR RECESSED HANDLE AUTOMATIC



KOD 01 050750

KOD 01 050785

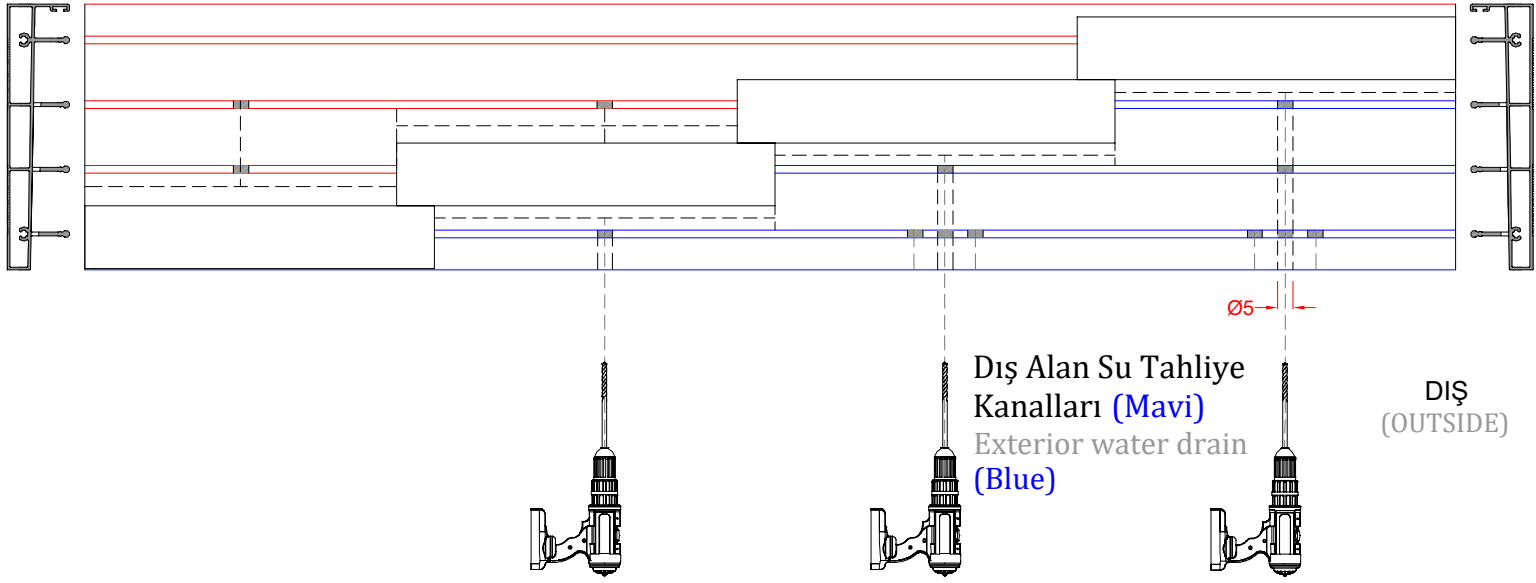
KOD 01 050782

NOT : Forza kilit dilini yağlayarak kullan.

SU TAHLİYE DETAYI
WATER DRAIN DETAILS

İç Alan Su Tahliye Kanalları (Kırmızı)
Interior water drain (Red)

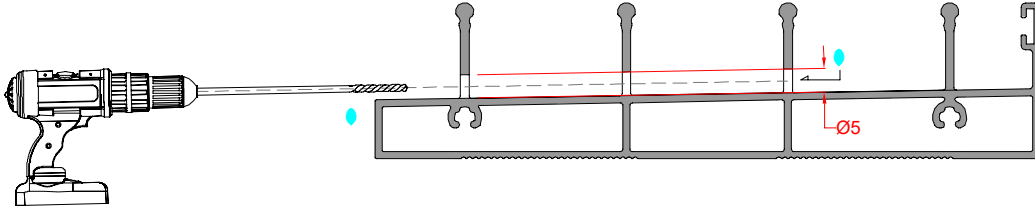
İÇ
(INSIDE)



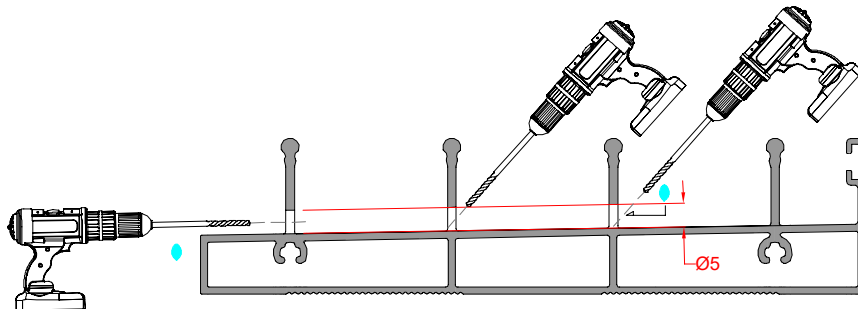
DIŞ Alan Su Tahliye
Kanalları (Mavi)
Exterior water drain
(Blue)

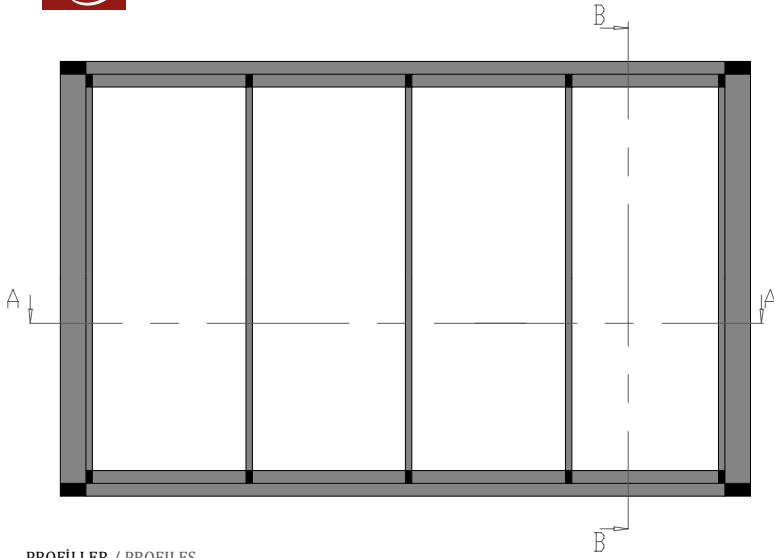
DIŞ
(OUTSIDE)

DIŞ Alan Su Tahliye Kanalı Oluşturma Prensibi (Mavi)
Principle of creating exterior water drain. (Blue)

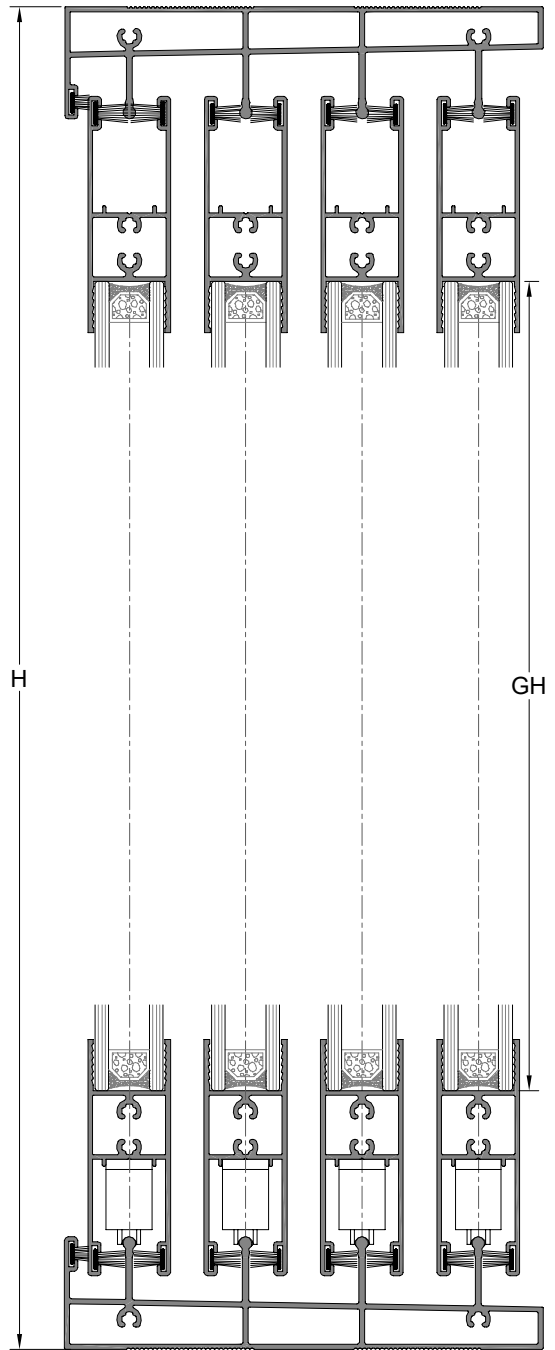


İç Alan Su Tahliye Kanalı Oluşturma Prensibi (Kırmızı)
Principle of creating interior water drain. (Red)





B-B KESİTİ



PROFİLLER / PROFILES

Kod Code	Çizim Drawing	Kesim Cut	Miktar Quantity	Ölçüler Dimensions
12664 Kasa Profili Frame Profile			2Pcs / Adet	L-30
12665 Yan Kasa Profili Side Frame Profile			2Pcs / Adet	H-30
12666 Etek Profili Bottom Profile			8Pcs / Adet	GL-30
12670 Kilit Adaptör Profili Lock Profile			2Pcs / Adet	H-80
12668 Kulplu Kanat Profili Handle Profile			1Pcs / Adet	H-157
12669 Kanat Profili Sash Profile			1Pcs / Adet	
12667 Kenet Profili Interlocking Profile			6Pcs / Adet	

CAM / GLAZING

Kod Code	Çizim Drawing	Miktar Quantity	Ölçüler Dimensions
CAM GLAZING		4 Pcs / Adet	GL = L/4-45 GH = H-157

CAM ÖLÇÜLERİ EŞİT KABUL EDİLEREK FORMÜLE EDİLMİŞTİR.
GLAZING DIMENSIONS ARE ASSUMED TO BE EQUAL.

A-A KESİTİ

